

## 4.0L ENGINE BELT SQUEAL OR CHIRP NOISE ON COLD STARTUP

TSB 09-7-7

### FORD:

2009 Mustang  
2007-2008 Explorer Sport Trac, Explorer

### MERCURY:

2007-2008 Mountaineer

### ISSUE

Some 2007-2008 Explorer, Explorer Sport Trac, Mountaineer and 2009 Mustang vehicles equipped with a 4.0L engine may exhibit a belt squeal or belt chirp from the front end accessory drive (FEAD) belt near the power steering pulley area.

### ACTION

Follow the Service Procedure steps to correct the condition.

### SERVICE PROCEDURE

#### NOTE

UNDER NO CIRCUMSTANCES SHOULD THE ACCESSORY DRIVE BELT, TENSIONER OR PULLEYS HAVE ANY FLUIDS OR BELT DRESSING APPLIED TO THEM AS DAMAGE TO THE BELT MATERIAL AND TENSIONER DAMPING MECHANISM MAY OCCUR.

1. Visually inspect all related FEAD components for damage and or abnormal wear. Reference the online Work Shop Manual (WSM), Section 303-05. If no concerns found, proceed to Step 2.
2. Inspect for FEAD belt clearance on the idler pulley. A properly aligned belt will have an approximate  $3/32''$  (2 mm) space behind the belt on the idler pulley. (Figure 1)
3. Verify the generator bracket and idler pulley are properly seated and torqued to specification. Reference the online (WSM), Section 303-05.
  - a. If there is not an approximate  $3/32''$  (2 mm) gap, proceed with Step 3.
  - b. If there is an approximate  $3/32''$  (2 mm) gap, proceed with Step 5.
4. Replace the generator bracket with updated bracket. Reference online (WSM), Section 303-01. Proceed to Step 5.

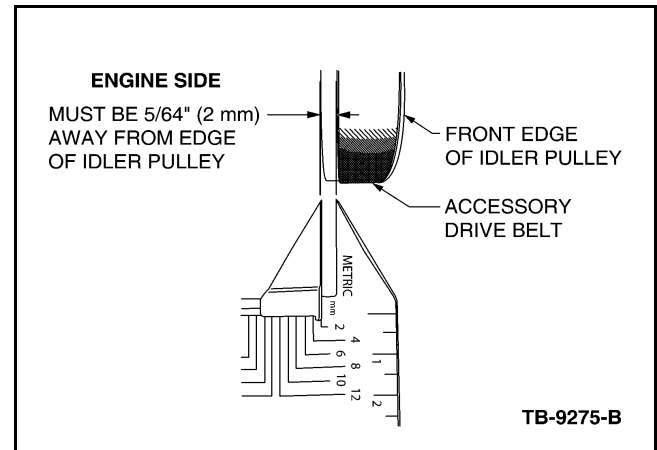


Figure 1 - Article 09-7-7

**NOTE:** The information in Technical Service Bulletins is intended for use by trained, professional technicians with the knowledge, tools, and equipment to do the job properly and safely. It informs these technicians of conditions that may occur on some vehicles, or provides information that could assist in proper vehicle service. The procedures should not be performed by "do-it-yourselfers". Do not assume that a condition described affects your car or truck. Contact a Ford, Lincoln, or Mercury dealership to determine whether the Bulletin applies to your vehicle. Warranty Policy and Extended Service Plan documentation determine Warranty and/or Extended Service Plan coverage unless stated otherwise in the TSB article. The information in this Technical Service Bulletin (TSB) was current at the time of printing. Ford Motor Company reserves the right to supersede this information with updates. The most recent information is available through Ford Motor Company's on-line technical resources.

# TSB 09-7-7 (Continued)

- 5. Replace the accessory drive belt with the updated belt part number. Reference online (WSM), Section 303-05.

090707B      2009 Mustang, 2007-2008      0.8 Hr.  
 Explorer, Explorer Sport  
 Trac, Mountaineer 4.0L:  
 Inspect And Replace  
 Alternator Bracket And  
 FEAD Belt Includes Time  
 For Measurements (Do Not  
 Use With 10346A, 6209A,  
 8678A, 8620F)

PART NUMBER	PART NAME
9L2Z-8620-A	FEAD Belt - Explorer / Mountaineer / Sport Trac
1L5Z-10A313-BA	Generator Bracket
5R3Z-8620-AA	FEAD Belt - Mustang

**WARRANTY STATUS:** Eligible Under Provisions Of New Vehicle Limited Warranty Coverage  
**IMPORTANT:** Warranty coverage limits/policies are not altered by a TSB. Warranty coverage limits are determined by the identified causal part.

**DEALER CODING**

BASIC PART NO.  
 10A313

CONDITION  
 CODE  
 07

OPERATION	DESCRIPTION	TIME
090707A	2009 Mustang, 2007-2008 Explorer, Explorer Sport Trac, Mountaineer 4.0L: Inspect And Replace FEAD Belt Includes Time For Measurements (Do Not Use With 10346A, 6209A, 8678A, 8620F)	0.3 Hr.