

FORD:
2005-2009 Mustang

ISSUE

Some 2005-2009 Mustang convertible vehicles may exhibit a torn / separating quarter glass division bar due to misalignment between the front door window glass and the rear quarter window glass. Concern may be duplicated with convertible top down, quarter glass down and front door glass up. When the rear glass is raised, it may catch on the front door glass creating a scissor effect over time. The windows need to be aligned to each other and the convertible top, as a glass system.

ACTION

Follow the Service Procedure steps to correct the condition.

SERVICE PROCEDURE

NOTE

FIX REQUIRES QUARTER GLASS REPLACEMENT AND FRONT DOOR GLASS ADJUSTMENT. THE DIVISION BAR IS BONDED TO THE QUARTER GLASS AND CANNOT BE REMOVED WITHOUT BREAKING THE GLASS. IT IS NOT SERVICED SEPARATELY.

1. Replace the quarter glass assembly, the seal is not serviced separately. Refer to Workshop Manual (WSM), Section 501-11.
2. With the convertible top closed, remove the rear side rail weather strip and close the rear quarter glass window. Adjust the quarter glass so that a $5/32'' - 3/16''$ (4-5 mm) gap exists between the glass and the convertible top weatherstrip retainer. Use the quarter glass jack screws to adjust inboard / outboard. Loosen nut. Use a 4 mm hex drive to wind the jack screw as needed. Tighten nuts. (Figures 1 and 2)

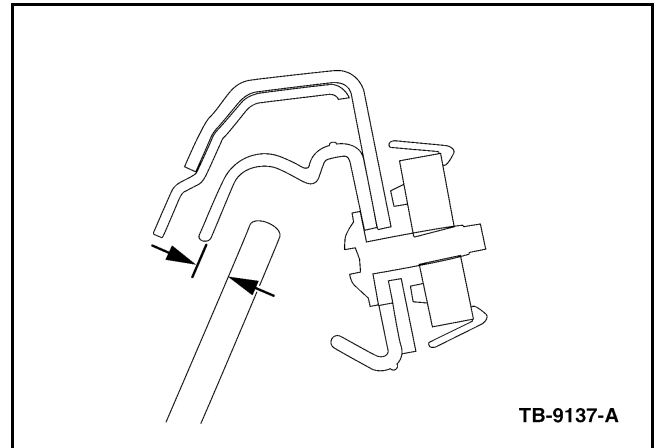


Figure 1 - Article 08-17-3

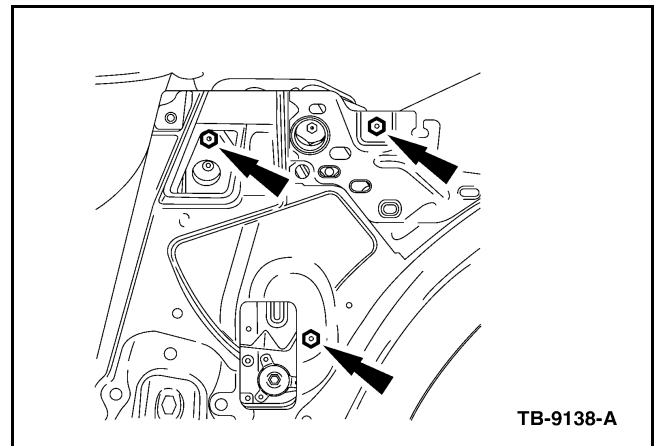
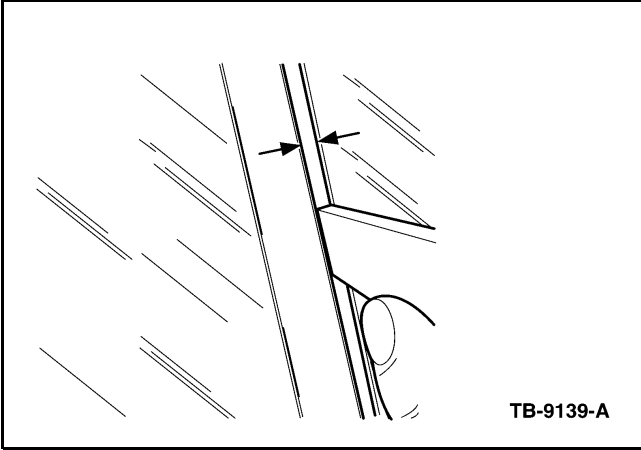


Figure 2 - Article 08-17-3

3. Adjust quarter glass so that a constant $5/32'' - 1/4''$ (4-6 mm) gap exists between the division bar and the door glass. Also, adjust so that the glass is inset $5/32'' - 1/4''$ (4-6 mm) inside the weatherstrip retainer. Apply tape to top exterior side of quarter glass. Mark a $5/32'' - 1/4''$ (4-6 mm) line on the tape as a visual aid in adjusting the glass inset to weatherstrip retainer. Use quarter glass attaching screws to adjust the glass. Loosen both screws and move the glass in plane as needed. (Figures 3 - 5)

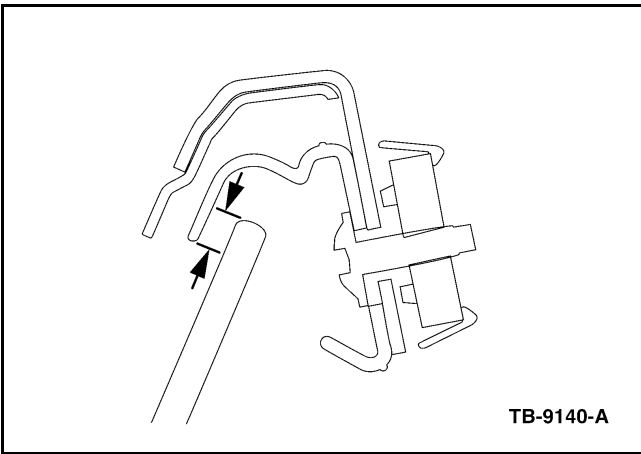
NOTE: The information in Technical Service Bulletins is intended for use by trained, professional technicians with the knowledge, tools, and equipment to do the job properly and safely. It informs these technicians of conditions that may occur on some vehicles, or provides information that could assist in proper vehicle service. The procedures should not be performed by "do-it-yourselfers". Do not assume that a condition described affects your car or truck. Contact a Ford, Lincoln, or Mercury dealership to determine whether the Bulletin applies to your vehicle. Warranty Policy and Extended Service Plan documentation determine Warranty and/or Extended Service Plan coverage unless stated otherwise in the TSB article. The information in this Technical Service Bulletin (TSB) was current at the time of printing. Ford Motor Company reserves the right to supersede this information with updates. The most recent information is available through Ford Motor Company's on-line technical resources.

TSB 08-17-3 (Continued)



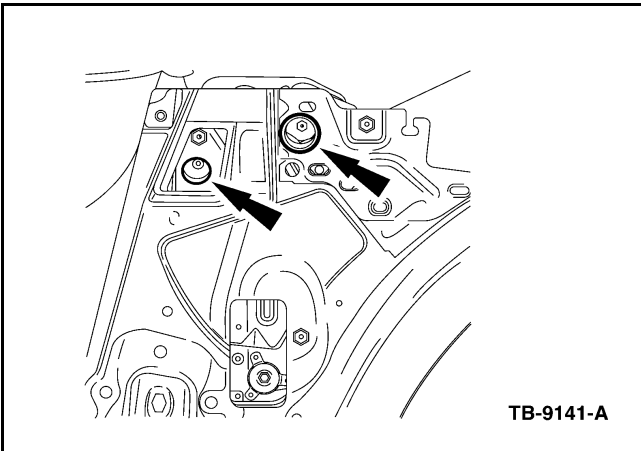
TB-9139-A

Figure 3 - Article 08-17-3



TB-9140-A

Figure 4 - Article 08-17-3

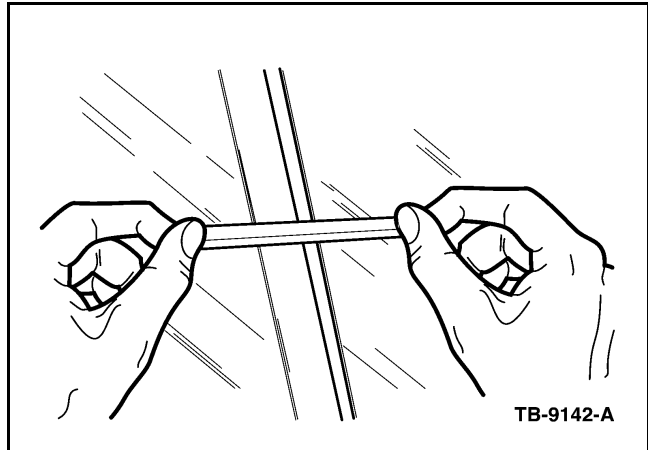


TB-9141-A

Figure 5 - Article 08-17-3

4. Tighten screws and install the rear side rail weatherstrip.

5. Adjust the door glass so that the door glass is flush to the quarter glass division bar or outboard of the division bar by no more than 1/16" (2 mm). (Figure 6). Use the door glass window regulator jack screw to adjust glass outboard. Remove the round reflector located at the bottom of the door trim panel. Turning the jack screw clockwise tips the glass outboard, counterclockwise tips the glass inboard. If additional adjustment is needed, then remove trim panel and use glass clamps. Refer to WSM, Section 501-11.



TB-9142-A

Figure 6 - Article 08-17-3

NOTE

MISALIGNED DOOR GLASS WILL BOUNCE BACK DURING OPERATION IF IT CONTACTS THE INBOARD SIDE OF THE UPPER CONVERTIBLE SEAL RETAINER. CONCERN MAY BE DUPLICATED WITH TOP UP AND REAR WINDOWS DOWN. DOOR GLASS MUST BE ALIGNED TO BOTH THE CONVERTIBLE TOP AND QUARTER GLASS DIVISION BAR.

PART NUMBER	PART NAME
AR3Z-7629710-A	Quarter Glass - RH
AR3Z-7629711-A	Quarter Glass - LH

WARRANTY STATUS: Eligible Under Provisions Of New Vehicle Limited Warranty Coverage
IMPORTANT: Warranty coverage limits/policies are not altered by a TSB. Warranty coverage limits are determined by the identified causal part.

TSB 08-17-3 (Continued)

OPERATION	DESCRIPTION	TIME	081703D	2005-2009 Mustang Convertible: Replace Both Rear Quarter Glass And Adjust, Additional Adjustment Is Needed Remove Both Interior Door Trim Panels. (Do Not Use With 23943A, 23943A13, 29710A)	2.6 Hrs.
081703A	2005-2009 Mustang Convertible: Replace One Rear Quarter Glass And Adjust. (Do Not Use With 29710A)	0.7 Hr.			
081703B	2005-2009 Mustang Convertible: Replace Both Rear Quarter Glass And Adjust. (Do Not Use With 29710A)	1.3 Hrs.			
			DEALER CODING		
081703C	2005-2009 Mustang Convertible: Replace One Rear Quarter Glass And Adjust, Additional Adjustment Is Needed Remove Interior Door Trim Panel. (Do Not Use With 23943A, 23943A13, 29710A)	1.4 Hrs.	BASIC PART NO. 7629710		CONDITION CODE 07