

FORD:
2005-2008 Mustang

This article supersedes TSB **05-24-6** to update the vehicle model years and Part List.

ISSUE

Some 2005-2008 Mustang convertible vehicles may require a repair of the convertible top. Individual components should continue to be used where appropriate, but if required a new top assembly is now available.

ACTION

Follow the Service Procedure steps.

SERVICE PROCEDURE

Evaluate the convertible top concern and perform a cost effective repair. A complete assembly is not necessary for most repairs and should only be used when the top frame has caused consequential damage to the top cover.

Verify the convertible top components that require replacement, and order the lowest level of components to repair the top. The following is a summary of the convertible top system concerns and the appropriate service action to correct the issue. For complete system diagnosis and repair information, refer to the Mustang Workshop Manual, Section 501-18.

Verify the components that are defective and replace individual components where necessary.

Replace Top Cover:

1. Top cover has a defect that can not be repaired.
2. Rear window glass is separated from the top material.

NOTE

STAINS, MILDEW, AND OTHER ENVIRONMENTAL CONDITIONS ARE NOT WARRANTABLE.

Replace Side Rails:

1. Top lifts unevenly side-to-side with no hydraulic system issues. (Figure 1)

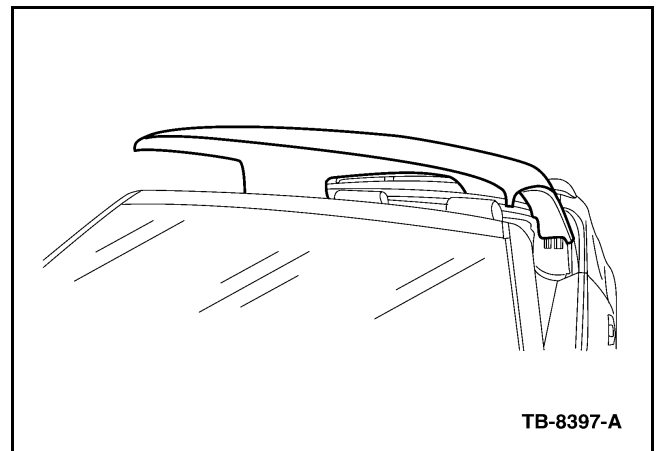


Figure 1 - Article 07-17-8

2. Top latch dowel pins do not align with header latch bracket. (Figure 2)

NOTE

IF THE LATCH DOWEL PINS ALIGN WITH THE LATCH BRACKET, BUT ARE TOO FAR FROM THE WINDSHIELD HEADER TO CLOSE EASILY, THEN TRY RELAXING THE MATERIAL PRIOR TO REPLACING ANYTHING. TO RELAX THE MATERIAL, CLOSE AND LATCH THE TOP, AND PUT VEHICLE IN PAINT BOOTH OVEN WITH HEAT ON FOR A COUPLE HOURS.

NOTE: The information in Technical Service Bulletins is intended for use by trained, professional technicians with the knowledge, tools, and equipment to do the job properly and safely. It informs these technicians of conditions that may occur on some vehicles, or provides information that could assist in proper vehicle service. The procedures should not be performed by "do-it-yourselfers". Do not assume that a condition described affects your car or truck. Contact a Ford, Lincoln, or Mercury dealership to determine whether the Bulletin applies to your vehicle. Warranty Policy and Extended Service Plan documentation determine Warranty and/or Extended Service Plan coverage unless stated otherwise in the TSB article. The information in this Technical Service Bulletin (TSB) was current at the time of printing. Ford Motor Company reserves the right to supersede this information with updates. The most recent information is available through Ford Motor Company's on-line technical resources.

TSB 07-17-8 (Continued)

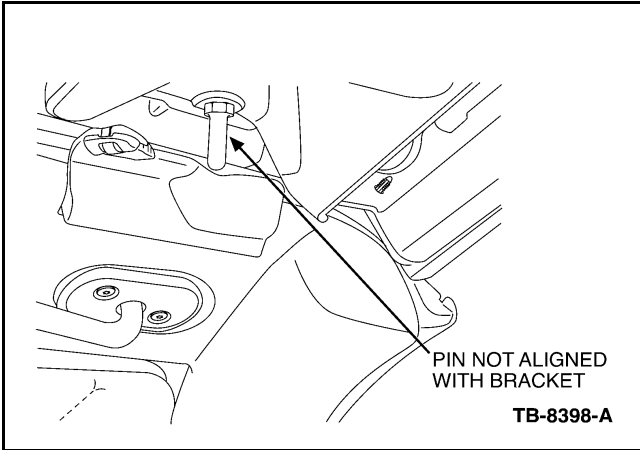


Figure 2 - Article 07-17-8

3. Top number 1 bow clearance to top well in the body is uneven. (Figure 3)

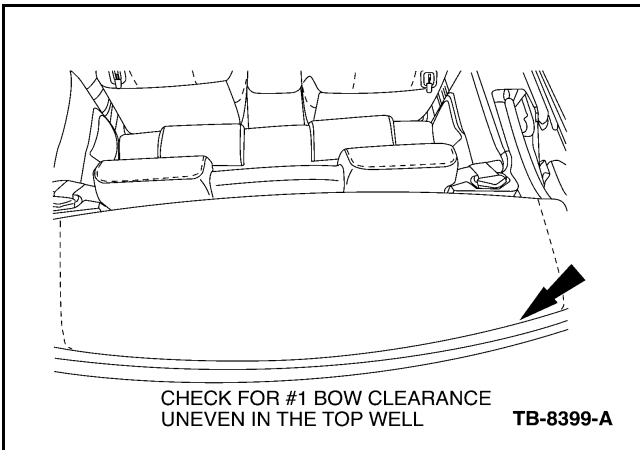


Figure 3 - Article 07-17-8

4. Side window seals do not align properly to side glass. (Figure 4)

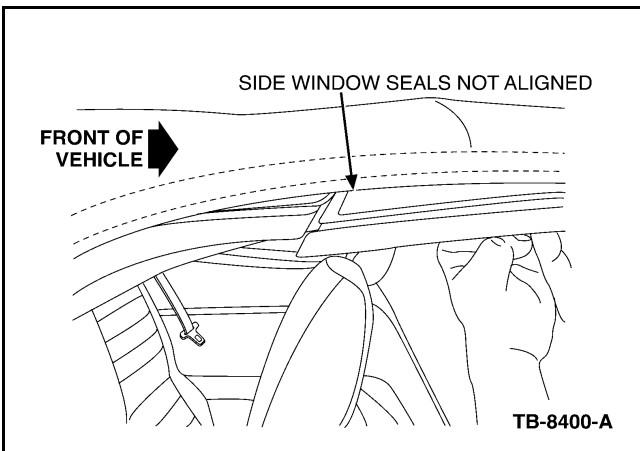


Figure 4 - Article 07-17-8

Replace Top Assembly:

1. Side rail linkage broken. (Figures 5 and 6)

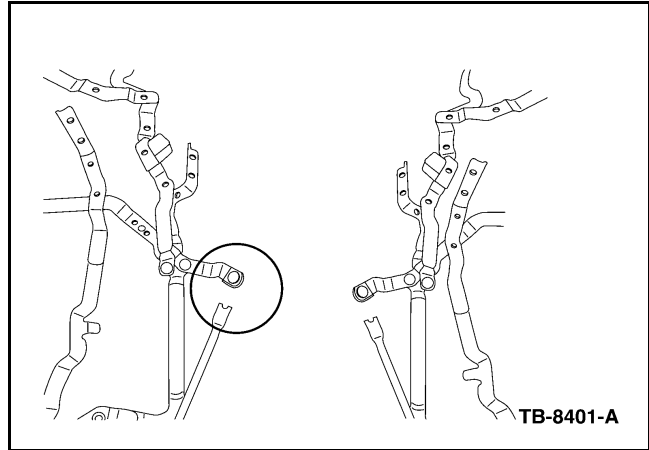


Figure 5 - Article 07-17-8

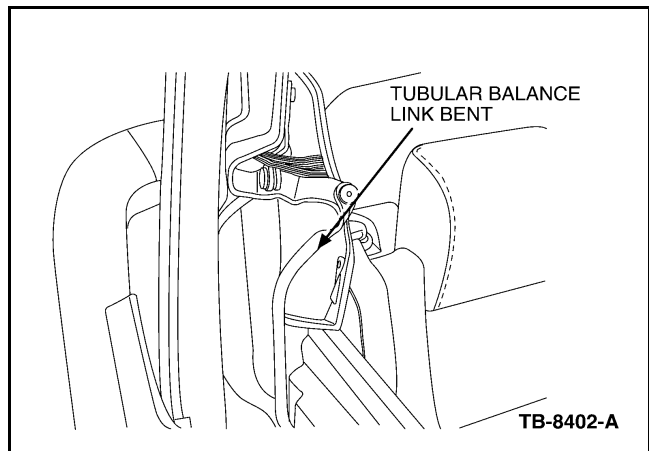


Figure 6 - Article 07-17-8

2. Top mechanism cannot be opened or closed due to damaged linkages.
3. Top mechanism has caused consequential damage to the top cover.

PART NUMBER	PART NAME
7R3Z-76501B00-AA	Top Assembly - Black Vinyl
7R3Z-76501B00-AB	Top Assembly - Camel Vinyl
8R3Z-76501B00-LA	Top Assembly - Black Cloth

WARRANTY STATUS: Eligible Under Provisions Of New Vehicle Limited Warranty Coverage
IMPORTANT: Warranty coverage limits/policies are not altered by a TSB. Warranty coverage limits are determined by the identified causal part.

TSB 07-17-8 (Continued)

OPERATION	DESCRIPTION	TIME			
071708A	2005-2008 Mustang Convertible: Replace Convertible Top Cover Includes Time To Remove and Install Convertible Top Assembly (Do Not Use With 52700A, 53000A, 53300A)	4.2 Hrs.	071708C	2005-2008 Mustang Convertible: Replace Convertible Top Side Rail Includes Time To Remove and Install Convertible Top Assembly: Both Rails (Do Not Use With 52700A, 53000A, 53300A)	3.5 Hrs.
071708B	2005-2008 Mustang Convertible: Replace Convertible Top Side Rail Includes Time To Remove and Install Convertible Top Assembly: One Rail (Do Not Use With 52700A, 53000A, 53300A)	3.0 Hrs.	071708D	2005-2008 Mustang Convertible: Replace Convertible Top Assembly (Do Not Use With 52700A, 53000A, 53300A)	1.6 Hrs.
			DEALER CODING		CONDITION
			BASIC PART NO.		CODE
			76501B00		02