



# TECHNICAL SERVICE BULLETIN

## 5 Door - Hard Top - Poor Sirius XM® Satellite Radio Reception And/Or Signal Loss - Built On Or Before 17-May-2022

**22-2096**

27 May 2022

### Model:

<b>Ford</b> 2021-2022 Bronco
---------------------------------

**Issue:** Some 2021-2022 Bronco vehicles built on or before 17-May-2022 equipped with 5 doors and a hard top roof configuration may exhibit poor Sirius XM® satellite radio reception and/or satellite radio signal loss in areas with tall structures, rural areas with dense foliage or other similar obstructions. This may be due to the antenna positioning. To correct the condition, follow the Service Procedure to relocate the antenna.

**Action:** Follow the Service Procedure to correct the condition on vehicles that meet all of the following criteria:

- 2021-2022 Bronco
- Built on or before 17-May-2022
- 5 door
- Equipped with a hard top
- Poor Sirius XM® satellite radio reception and/or satellite radio signal loss

### Parts

Service Part Number	Quantity	Description	Unit of Issue	Piece Quantity
W716053-S424	1	Clip	4	2

Quantity refers to the amount of the service part number required to repair the vehicle.

Unit of Issue refers to the number of individual pieces included in a service part number package.

Piece Quantity refers to the total number of individual pieces required to repair the vehicle.

**Warranty Status:** Eligible under provisions of New Vehicle Limited Warranty (NVLW)/Service Part Warranty (SPW)/Special Service Part (SSP)/Extended Service Plan (ESP) coverage. Limits/policies/prior approvals are not altered by a TSB. NVLW/SPW/SSP/ESP coverage limits are determined by the identified causal part and verified using the OASIS part coverage tool.

### Labor Times

Description	Operation No.	Time
2021-2022 Bronco 5 Door: Update The Existing Satellite Antenna Following The Service Procedure (Do Not Use With Any Labor Operations Outside Of This Article	222096A	1.1 Hrs.
Extra Time To Remove And Install The Roof Rack (if equipped) (Can Be Claimed With Operation A)	222096B	0.3 Hrs.

### Repair/Claim Coding

Causal Part:	10E893
Condition Code:	42

### Service Procedure

1. Remove the hard top roof. Refer to Workshop Manual (WSM), Section 501-18B.

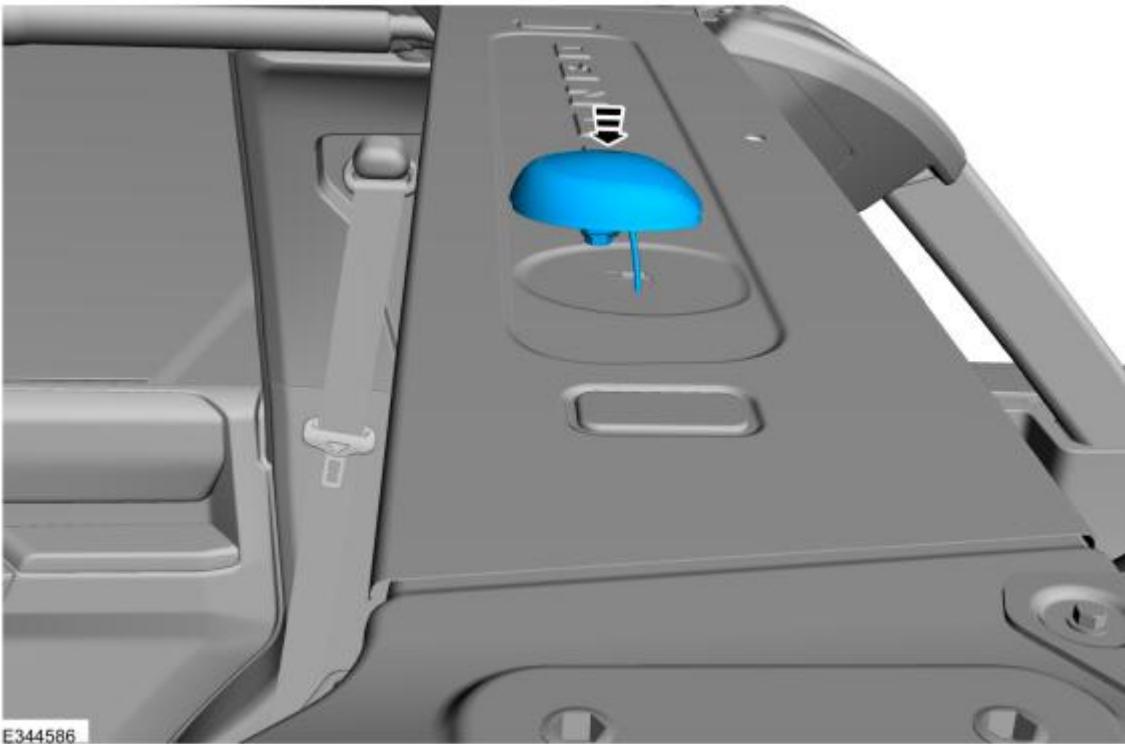
2. Locate the satellite radio/global positioning system (GPS) antenna on the rear overhead cross tube of the sport tube. It is mounted on the top of the sport tube between it and the hard top. (Figure 1)

Figure 1



3. Inspect the position of the satellite radio/GPS antenna. Does the base of the antenna match the depression/outline in the sheet metal? (Figure 2)

Figure 2

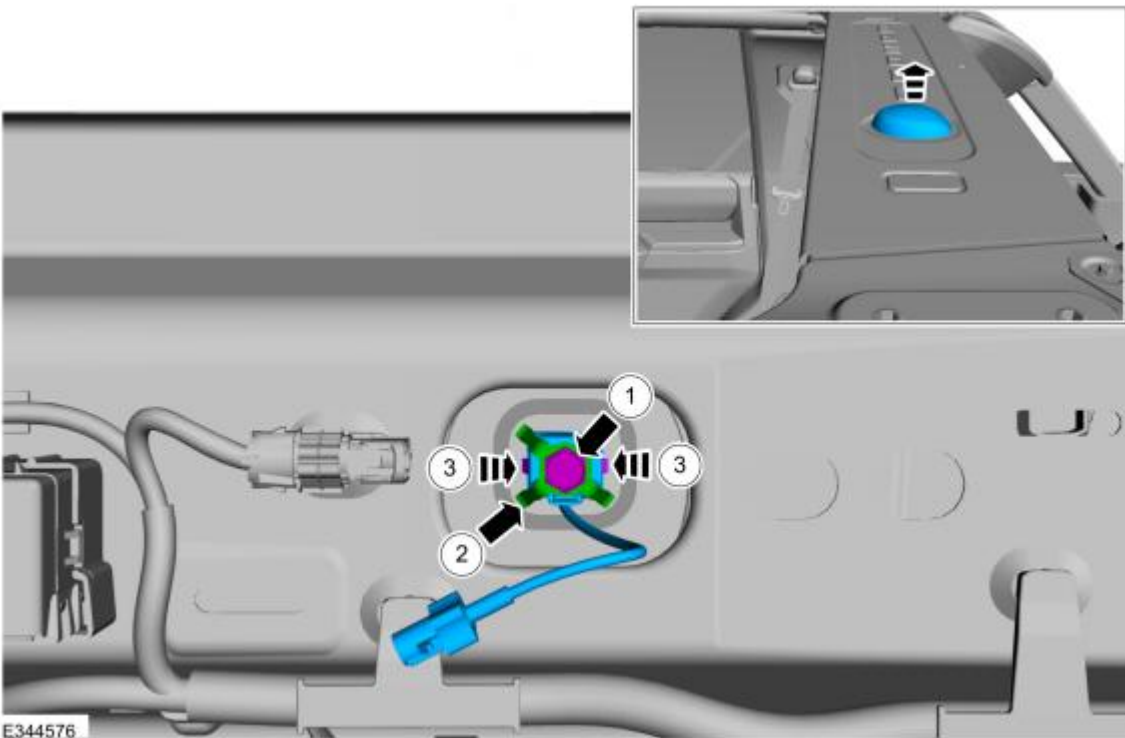


(1). Yes - proceed to Step 4.

(2). No - this article does not apply. Refer to WSM, Section 415-00.

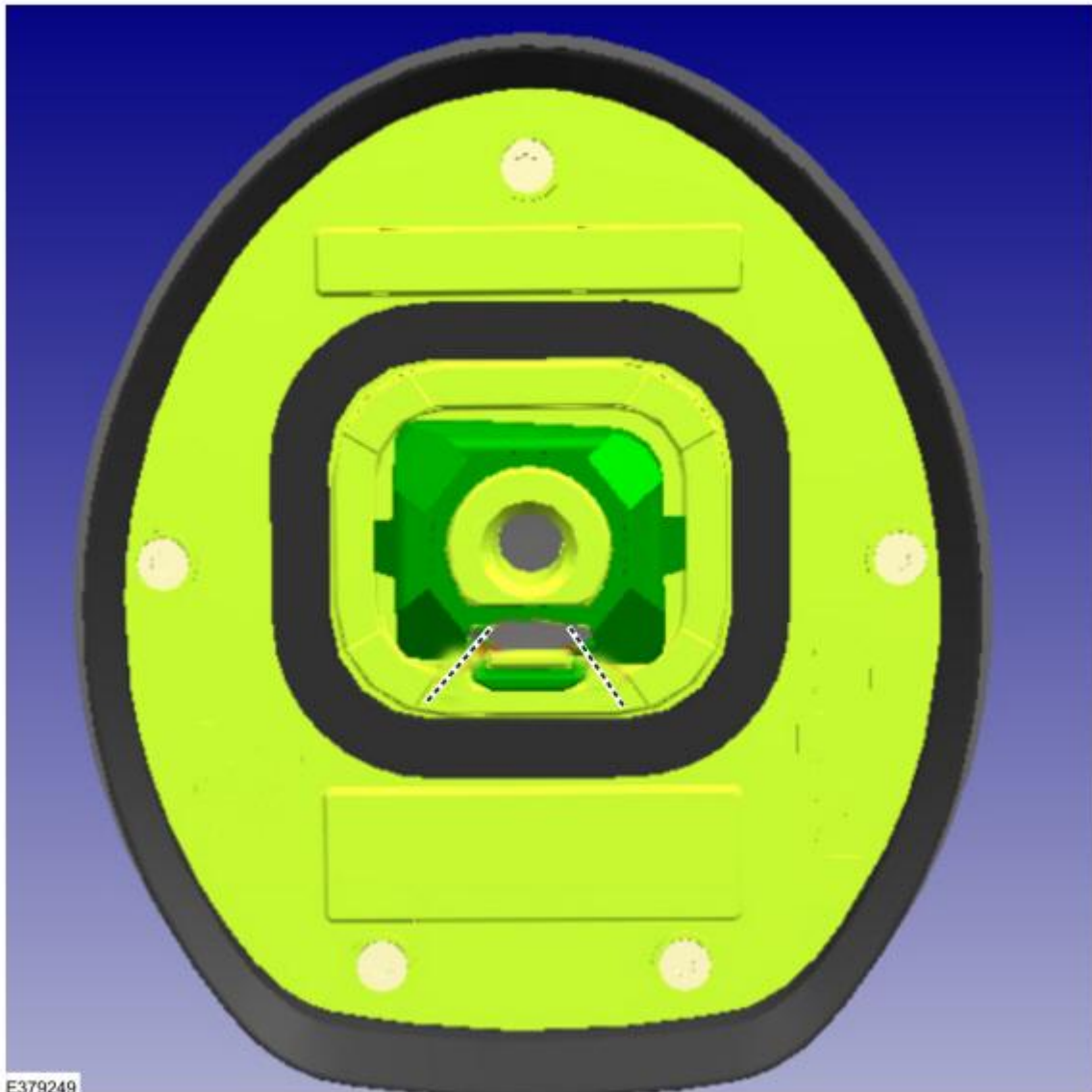
4. Remove the rear header trim panel. (Figure 3) Refer to WSM, Section 415-00, Satellite Radio/GPS Antenna > Removal and Installation > Step 1-15.

Figure 3



5. With the antenna removed from the vehicle, cut the plastic locator/orientation tab off the plastic antenna base. (Figures 4-5)

Figure 4



E379249

Figure 5



6. Rotate the antenna 180 degrees from the original position. Place the antenna back on the vehicle with the flatter side facing toward the front of the vehicle. The base of the antenna should not match the depression/outline in the sheet metal.
7. Reinstall the antenna metal clip and 10 mm hex bolt. Tighten to 8.0 Nm (6.0 lb-ft).
8. To install, reverse the removal procedure.

---

© 2022 Ford Motor Company

All rights reserved.

NOTE: The information in Technical Service Bulletins is intended for use by trained, professional technicians with the knowledge, tools, and equipment to do the job properly and safely. It informs these technicians of conditions that may occur on some vehicles, or provides information that could assist in proper vehicle service. The procedures should not be performed by "do-it-yourselfers". Do not assume that a condition described affects your car or truck. Contact a Ford or Lincoln dealership to determine whether the Bulletin applies to your vehicle. Warranty Policy and Extended Service Plan documentation determine Warranty and/or Extended Service Plan coverage unless stated otherwise in the TSB article. The information in this Technical Service Bulletin (TSB) was current at the time of printing. Ford Motor Company reserves the right to supersede this information with updates. The most recent information is available through Ford Motor Company's on-line technical resources.