

2018+ Mustang Front Grille Upgrade

Installation Instructions
P/N: 422275 (1318-8202)



ROUSH
PERFORMANCE

800.59.ROUSH

2018+ ROUSH Front Grille Upgrade

Installation Instructions

P/N: 422275 (1318-8202)



Application: 2018-2021 Mustang

Important Note:

Before installing the ROUSH Performance Product, please read through the installation procedure and verify that all items are present. If you are missing hardware or have any questions, please contact ROUSH Performance at 1-800-59-ROUSH, 9:00 AM to 5:00 PM EST.

Contents

Packing List for 2018+ ROUSH Mustang Front Grille Upgrade	3
Equipment and Supplies Required.....	3
Safety Precautions	4
Work Safely!	4
Section A - Removal.....	5
Section B - Disassemble Original Grille	6
Section C - Installation	8

PACKING LIST FOR 2018+ ROUSH - MUSTANG FRONT GRILLE UPGRADE

Description	Part Number	Quantity
Grille, Upper Painted	1318-8202	1
Grille Retail Badge	1315-RDLB	1
Retail Document Kit	RETAILDOC	1

EQUIPMENT AND SUPPLIES REQUIRED

- 8 mm Socket
- 7 mm Socket
- 5.5 mm Socket
- General Automotive Tools (pliers, needle-nose pliers, etc.)
- Trim Removal Tool
- Isopropyl Alcohol

If you are missing any items, please call us toll free at 1-800-59-ROUSH.

LIMIT OF LIABILITY STATEMENT

The information contained in this publication was accurate and in effect at the time the publication was approved for printing and is subject to change without notice or liability. ROUSH Performance Products (RPP) reserves the right to revise the information presented herein or to discontinue the production of parts described at any time.

SAFETY PRECAUTIONS



CAREFULLY READ THE IMPORTANT SAFETY PRECAUTIONS and WARNINGS BEFORE PROCEEDING WITH THE INSTALLATION!

Appropriate disassembly, assembly methods and procedures are essential to ensure the personal safety of the individual performing the kit installation. Improper installation due to the failure to correctly follow these instructions could cause personal injury or death. Read each step of the installation manual carefully before starting the installation.

- Always wear safety glasses for eye protection.
- Place ignition switch in the OFF position.
- Always apply the parking brake when working on a vehicle.
- Block the front and rear tire surface to prevent unexpected vehicle movement.
- If working with a lift, always consult vehicle manual for correct lifting specifications.
- Operate the engine only in well-ventilated areas to avoid exposure to carbon monoxide.
- Do not smoke or use flammable items near or around the fuel system.
- Use chemicals and cleaners in well-ventilated areas.
- Batteries produce explosive gases, which can cause personal injury. Therefore, do not allow flames, sparks or flammable substances to come near the battery.
- Keep hands and any other objects away from the radiator fan blades.
- Keep yourself and your clothing away from moving parts when the engine is running.
- Do not wear loose clothing or jewelry that can get caught in rotating parts or scratch surface finishes.
- Allow the engine, cooling system, brakes and exhaust to cool before working on a vehicle.

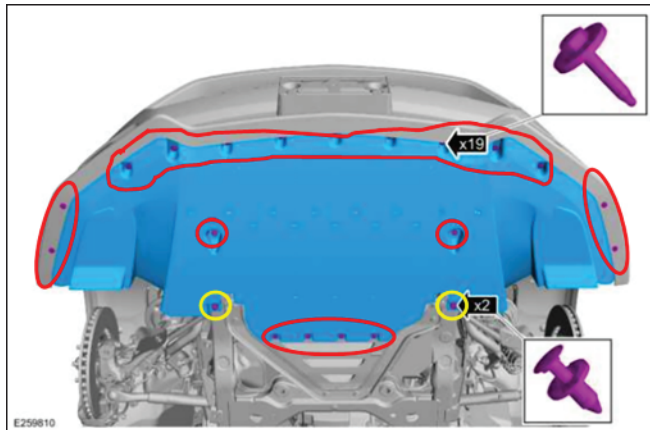
WORK SAFELY!

Perform this installation on a good clean level surface for maximum safety and with the engine turned off.

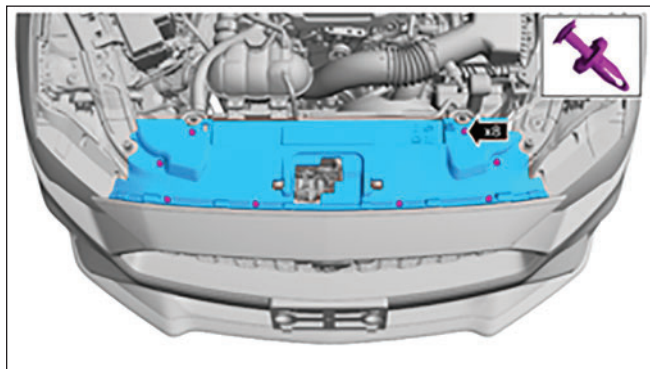
SECTION A - REMOVAL

The following section will guide you through the disassembly of the stock components. Special care should be taken to label fasteners and parts that are taken off during this procedure since many will be reused.

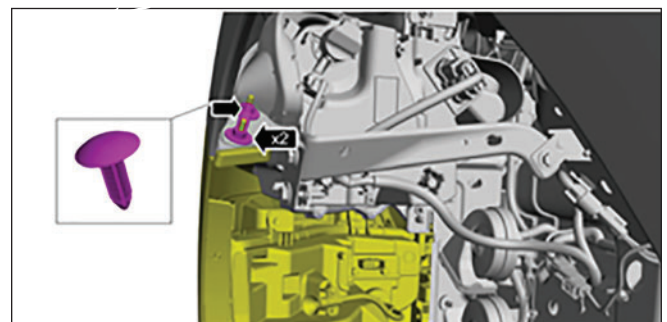
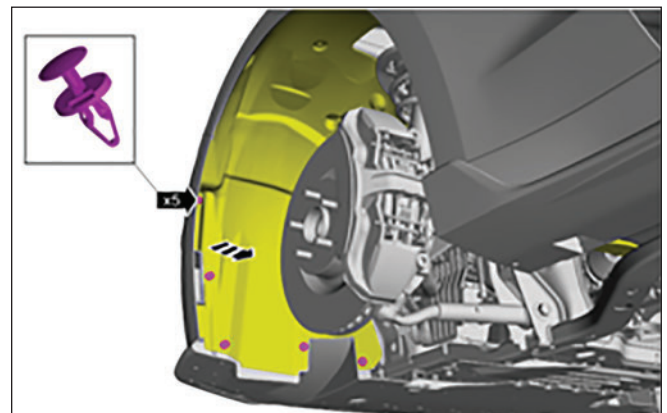
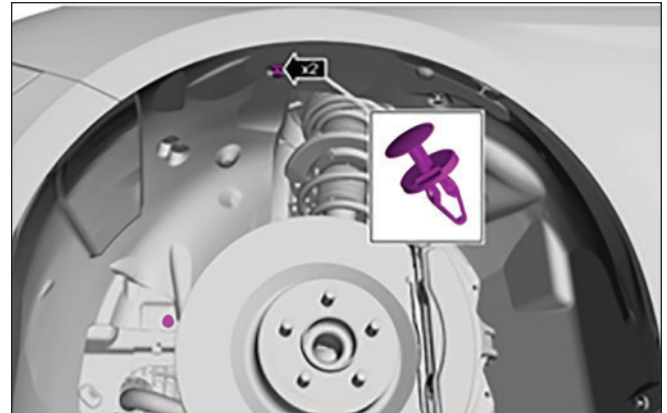
1. Cover both fenders with fender covers to protect the vehicle finish.
2. Disconnect the battery ground cable.
3. Remove the nineteen (19) lower close-out panel bolts using a 7 mm socket. Remove the two (2) push pins using a trim tool. Remove the lower close out panel.



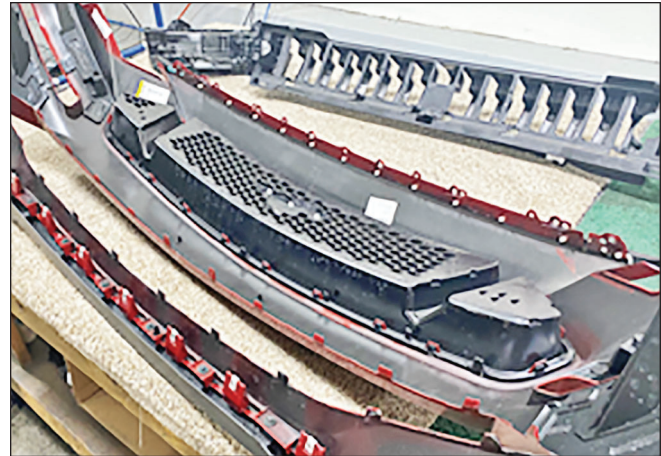
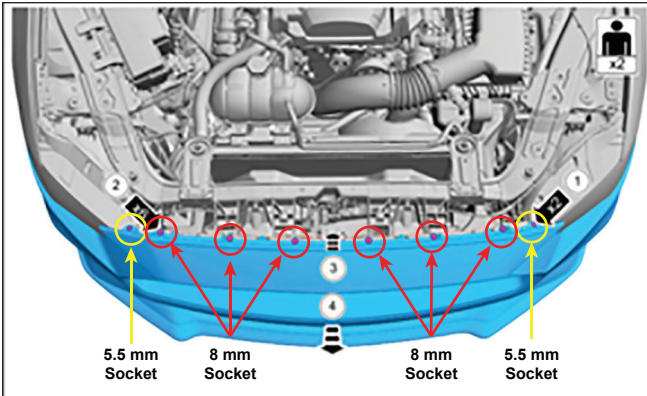
4. Remove the eight (8) radiator close out panel clips. Remove the close out panel.



5. Remove the fender liners from both sides of the vehicle using a trim tool. Be sure to disconnect the turn signals.

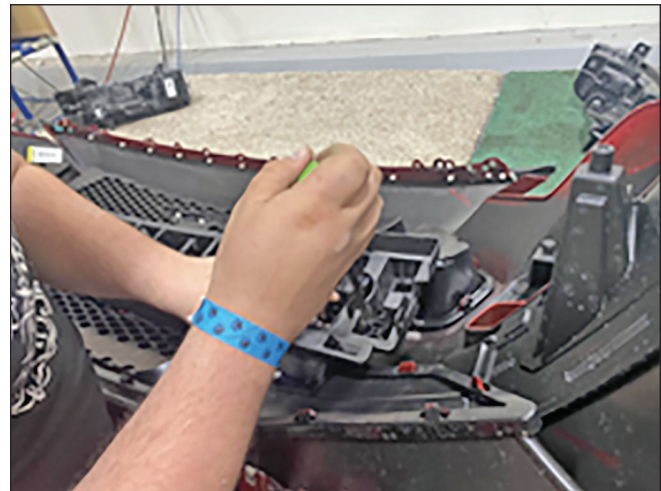


6. Remove the two (2) front bumper cover bolts using a 5.5 mm socket. Remove the six (6) front bumper cover bolts using a 8 mm socket. Remove the front bumper cover.



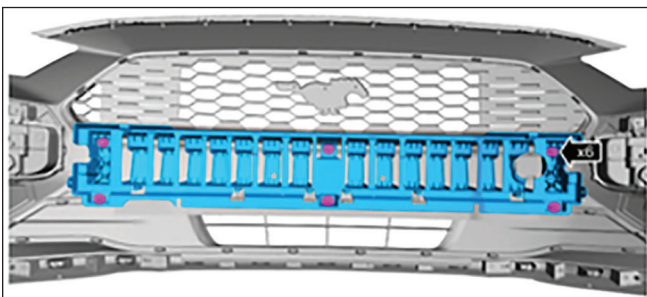
SECTION B – DISASSEMBLE ORIGINAL GRILLE

1. Place the removed front bumper cover assembly on a secured protected cover.

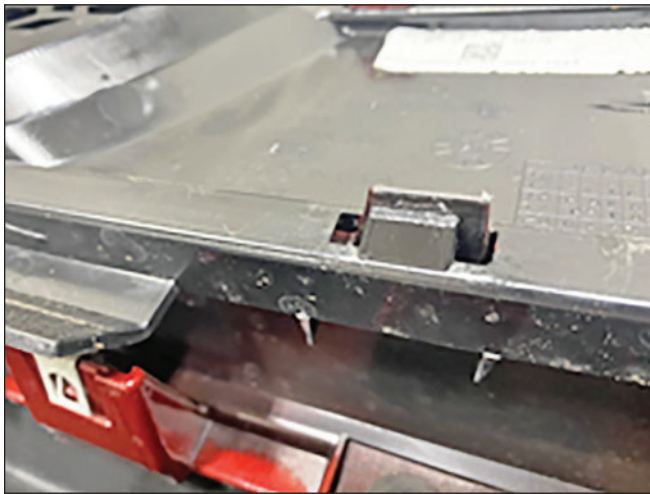
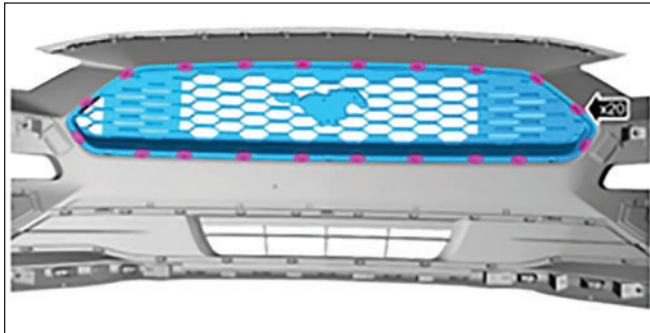


3. Once removed, place the front bumper cover support panel to the side.

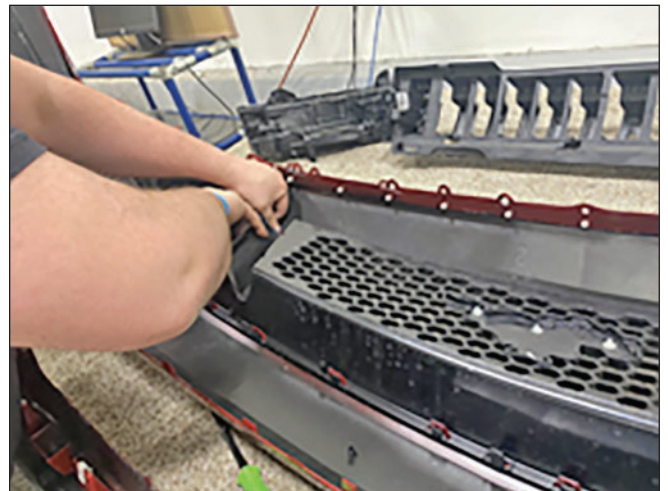
2. Using a trim tool, remove the three (3) top clips and the three (3) bottom clips from the front bumper cover support panel.



4. Remove the stock upper radiator grille by releasing the twenty (20) tabs that mate with the front bumper cover panel.

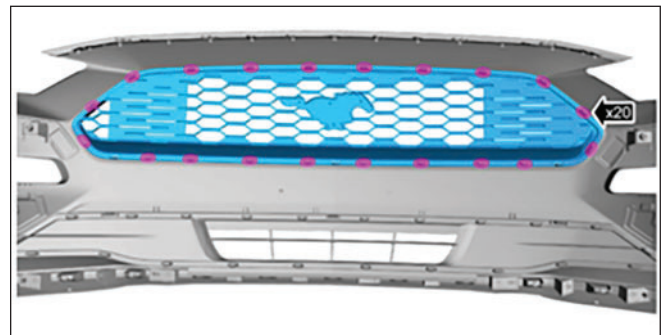
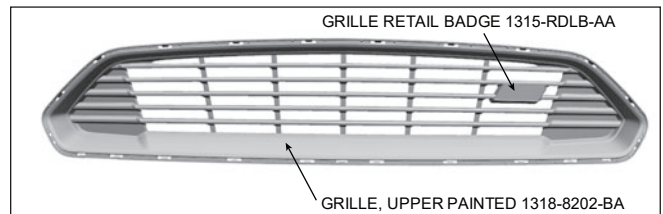
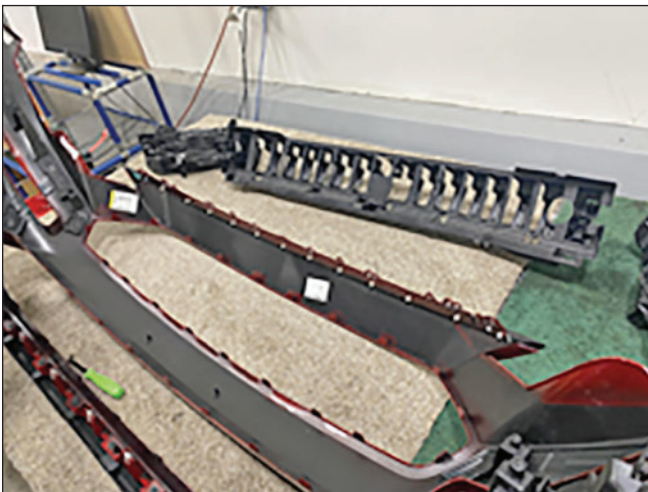
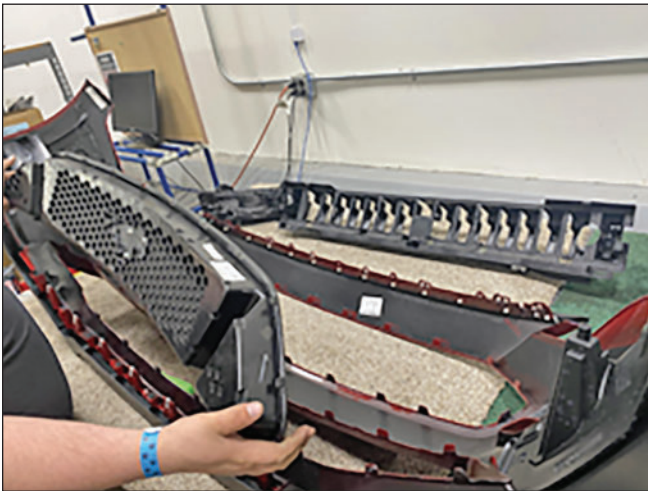


5. Once the clips are released, pull to remove the original grille from the front bumper cover panel.

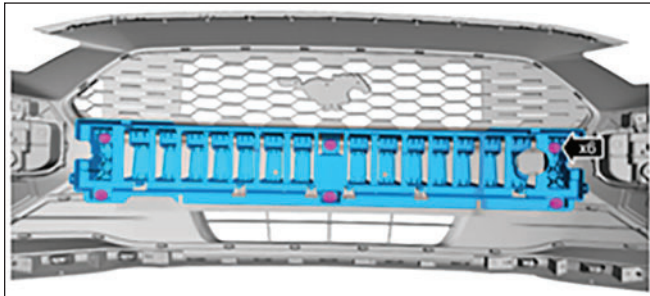
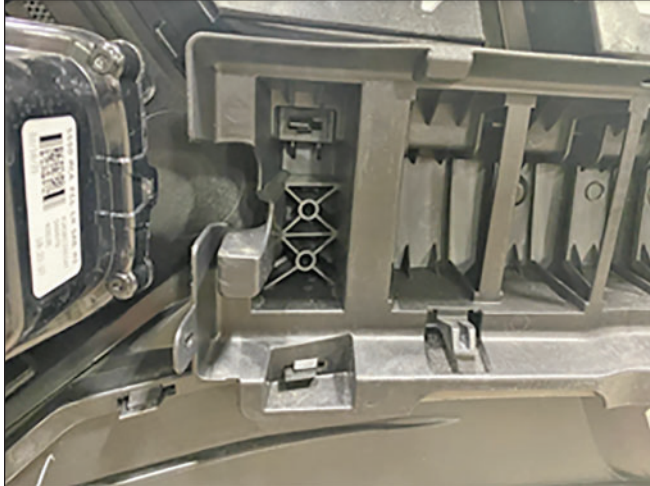


SECTION C – INSTALLATION

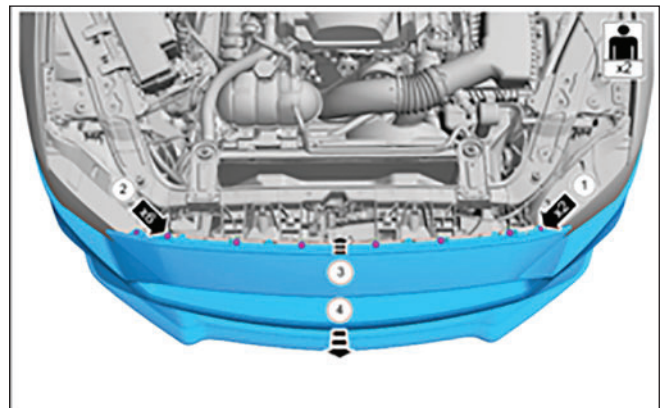
1. Position the ROUSH upper grille and clip it into the twenty (20) tabs on the stock front bumper cover.



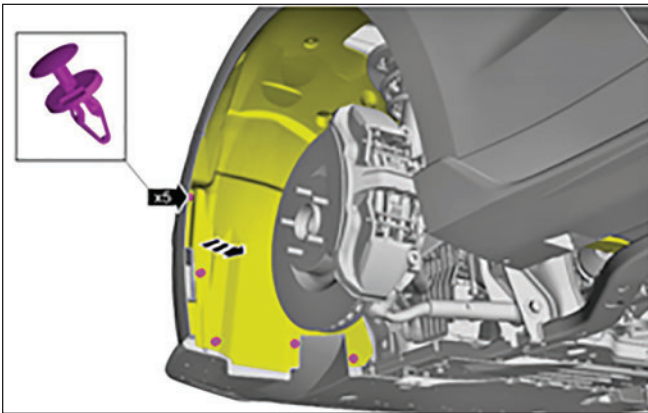
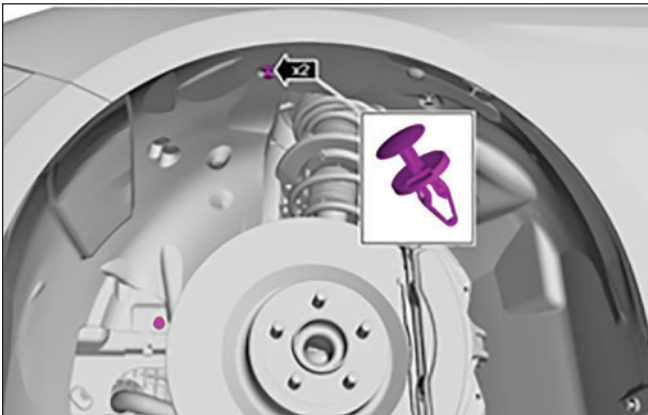
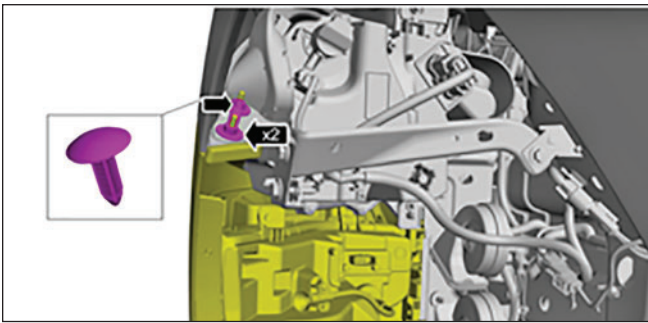
2. Once the ROUSH upper grille is clipped in, reinstall the front bumper cover reinforcement panel by clipping the panel into the six (6) locations on the front bumper cover.



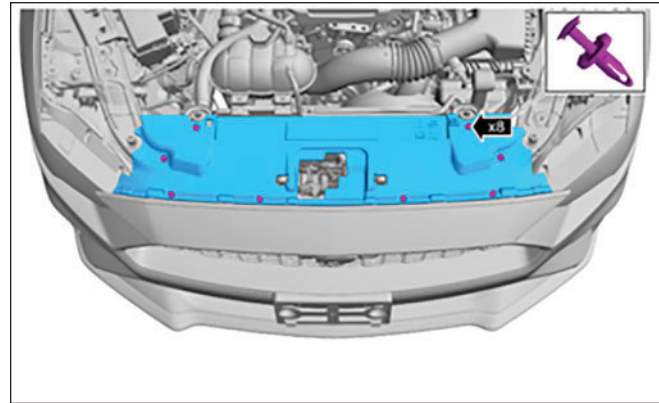
3. Position the front bumper cover to the vehicle. Reinstall the two (2) front bumper cover bolts using a 5.5 mm socket. Reinstall the six (6) front bumper cover bolts using a 8 mm socket.



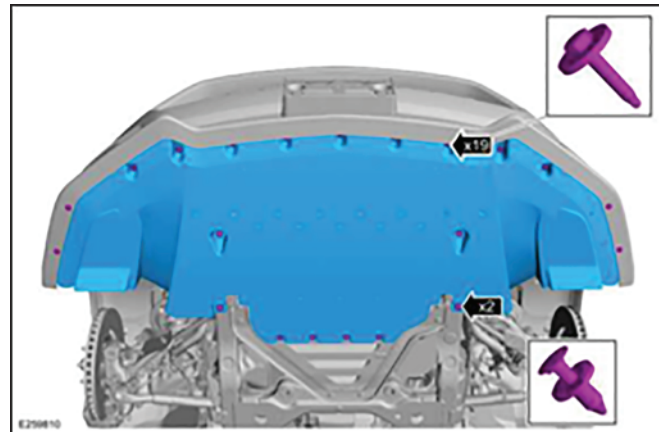
- Reinstall the fender liners on both sides of the vehicle. Be sure to reconnect the turn signals.



- Position the close out panel to the vehicle. Reinstall the eight (8) radiator close out panel clips.



- Reconnect the battery ground cable.
- Position the lower close-out panel onto the vehicle. Using a 7 mm socket, reinstall the nineteen (19) lower close-out panel bolts and the two (2) push pins.



8. Clean the surface of the upper grille substrate with isopropyl alcohol. Remove the backing from the graphic badge and place it on the cutout location on the upper grille substrate.



9. Step back and inspect the new ROUSH upper grille.



Congratulations!!! You have completed the installation!