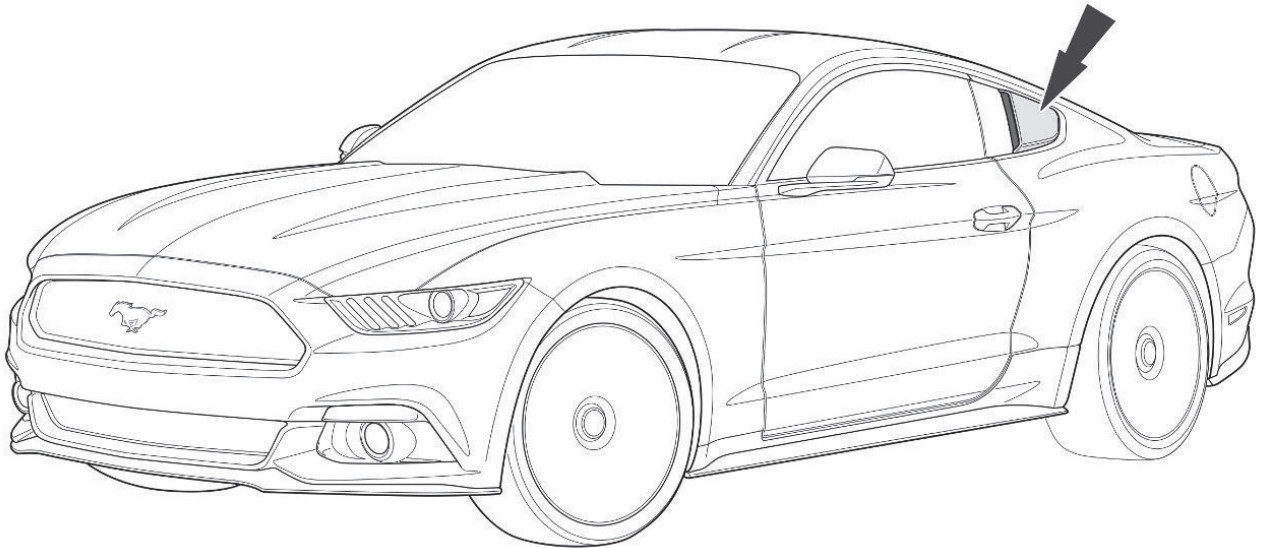


# 2015 Mustang Quarter Window Scoop

## Installation Instructions

421881 (R1315-011104UA)



**Application:** 2015 Ford Mustang

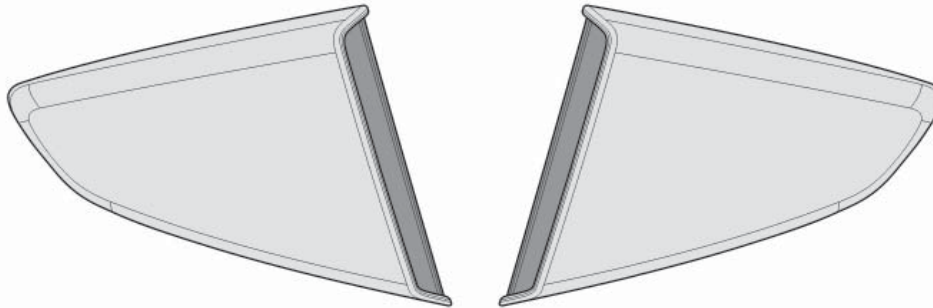
**Important Note:**

Before installing your ROUSH Performance Product(s), read through the entire installation procedure and check to make sure all items are present. Contact ROUSH Customer Service at 1-800-59-ROUSH, weekdays from 9:00 AM to 5:00 PM EST, with any questions regarding fit, missing parts or instructions that are unclear to you.

**TABLE OF CONTENTS**

Packing List for Roush Panel Side Scoop Kit ..... 3  
Equipment And Supplies Required ..... 3  
Limit of Liability Statement..... 3  
Safety Precautions ..... 4  
Work Safely! ..... 4  
Window Scoop Installation..... 5

**PACKING LIST FOR ROUSH PANEL SIDE SCOOP KIT**



RH - PANEL  
SIDE SCOOP

LH - PANEL  
SIDE SCOOP



INSTALLATION  
INSTRUCTIONS

Description	Part Number	Quantity
Window Scoop Kit	421881 (R1315-011104UA)	1
Window Scoop LH	1315-8371	1
Window Scoop RH	1315-8370	1

**EQUIPMENT AND SUPPLIES REQUIRED**

- Isopropyl Alcohol Packets or 50/50 Alcohol/Water Solution
- Masking Tape
- Rubber Roller

**If you are missing any items, please call us toll free at 1-800-59-ROUSH.**

**LIMIT OF LIABILITY STATEMENT**

The information contained in this publication was accurate and in effect at the time the publication was approved for printing and is subject to change without notice or liability. ROUSH Performance Products (RPP) reserves the right to revise the information presented herein or to discontinue the production of parts described at any time.

## SAFETY PRECAUTIONS



### **CAREFULLY READ THE IMPORTANT SAFETY PRECAUTIONS and WARNINGS BEFORE PROCEEDING WITH THE INSTALLATION!**

Appropriate disassembly, assembly methods and procedures are essential to ensure the personal safety of the individual performing the kit installation. Improper installation due to the failure to correctly follow these instructions could cause personal injury or death. Read each step of the installation manual carefully before starting the installation.

- Always wear safety glasses for eye protection.
- Place ignition switch in the OFF position.
- Always apply the parking brake when working on a vehicle.
- Block the front and rear tire surface to prevent unexpected vehicle movement.
- If working with a lift, always consult vehicle manual for correct lifting specifications.
- Operate the engine only in well-ventilated areas to avoid exposure to carbon monoxide.
- Do not smoke or use flammable items near or around the fuel system.
- Use chemicals and cleaners in well-ventilated areas.
- Batteries produce explosive gases, which can cause personal injury. Therefore, do not allow flames, sparks or flammable substances to come near the battery.
- Keeps hands and any other objects away from the radiator fan blades.
- Keep yourself and your clothing away from moving parts when the engine is running.
- Do not wear loose clothing or jewelry that can get caught in rotating parts or scratch surface finishes.
- Allow the engine, cooling system, brakes and exhaust to cool before working on a vehicle.

### **WORK SAFELY!**

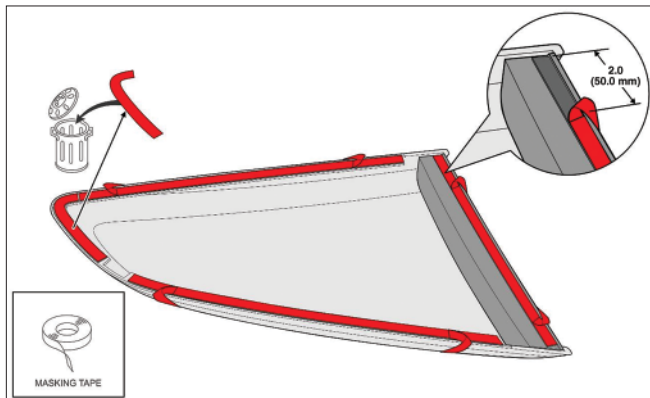
Perform this installation on a good clean level surface for maximum safety and with the engine turned off.

## WINDOW SCOOP INSTALLATION

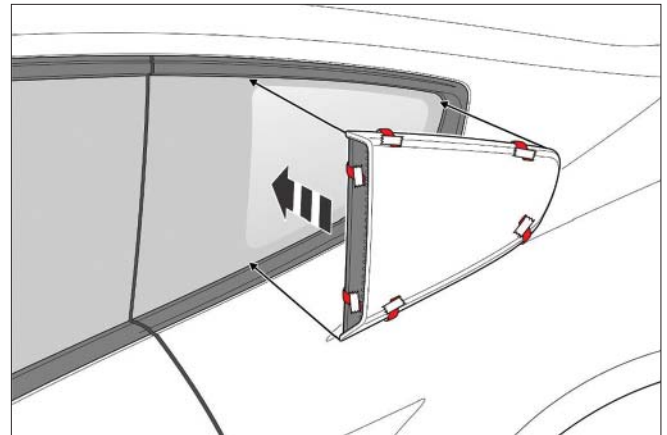
1. Make sure the vehicle's rear quarter glass is clean and dry. The glass surface should be between 61°-81°F (16°-31°C).
2. Use 50/50 (alcohol/water) solution to clean the rear quarter glass area where the window scoop is to be installed.



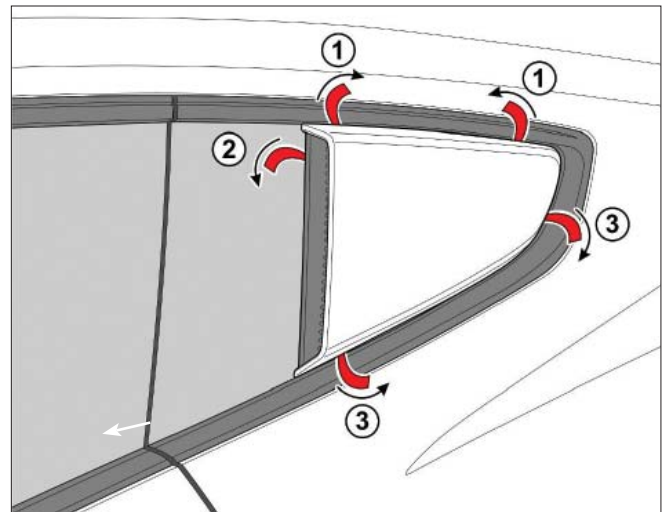
3. Peel back 2.0" (50.0 mm) of the tape liner and secure it to the A-side of the window scoop with masking tape.



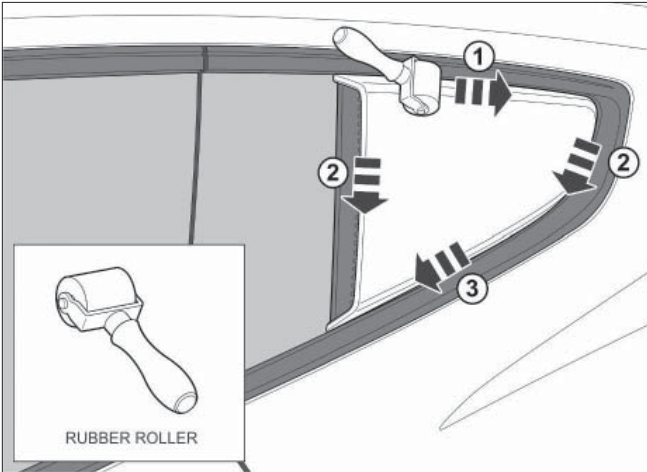
4. Install the window scoop onto the rear quarter glass using the edge of the window's rubber surround molding as a guide. Do not allow the exposed double-sided tape to adhere until the window scoop is properly aligned, then press down.



5. Remove all the tape liners in the order shown below. Be sure to remove the tape liners in the direction indicated.



- Using a rubber roller or the palm of your hand, apply 15 ft-lb of pressure over the entire tape area to 'wet out' the double-sided tape as shown.



- Repeat steps 1 through 6 on the other side of the vehicle.