



FORD PERFORMANCE

M-63660005-MG
2024MY Mustang
Ford Performance Recaro Seats

NO PART OF THIS DOCUMENT MAY BE REPRODUCED WITHOUT PRIOR AGREEMENT AND WRITTEN PERMISSION OF
FORD PERFORMANCE PARTS © Ford Motor Company 2020

!PRIOR TO INSTALLATION READ THESE INSTRUCTION COMPLETELY
For questions, Call the FORD PERFORMANCE Techline 1-800-367-3788

Please visit <https://www.performanceparts.ford.com> for warranty information



Ford Factory Shop Manual purchase options www.motorcraftservice.com

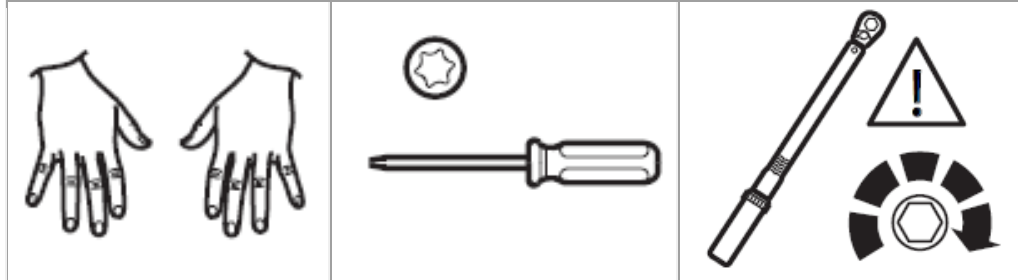


FORD PERFORMANCE

M-63660005-MG
2024MY Mustang
Ford Performance Recaro Seats

NO PART OF THIS DOCUMENT MAY BE REPRODUCED WITHOUT PRIOR AGREEMENT AND WRITTEN PERMISSION OF FORD PERFORMANCE PARTS © Ford Motor Company 2020

Special Tool(s) / General Equipment

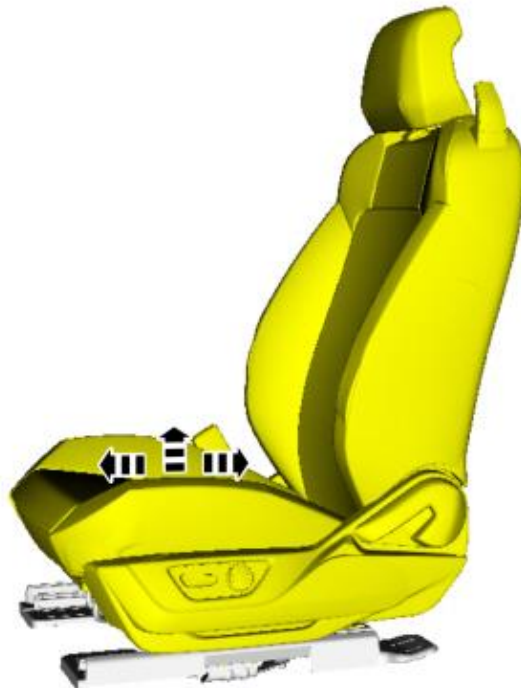


Removal

⚠ WARNING: The following procedure describes critical repair steps required for correct seat component installation. Follow all notes and steps carefully. Do not place any objects between the seat components and the body of the vehicle, nor any objects within a joint internal to the seat structure. Failure to follow step instructions may result in incorrect operation of the seat components and increases the risk of serious personal injury.

NOTE: Left-hand drive (LHD) driver seat shown, all others similar.

1. Position the seat to access the front seat bolts.



E187122

Ford Factory Shop Manual purchase options www.motorcraftservice.com

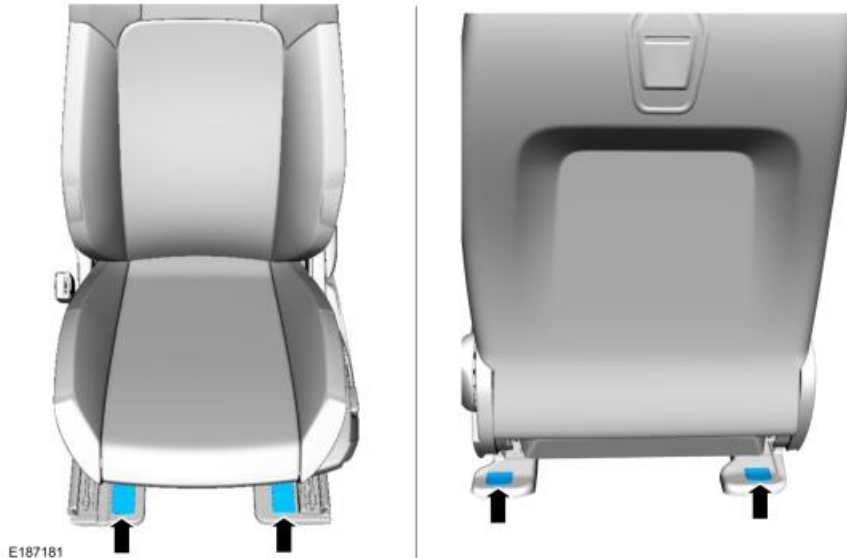


FORD PERFORMANCE

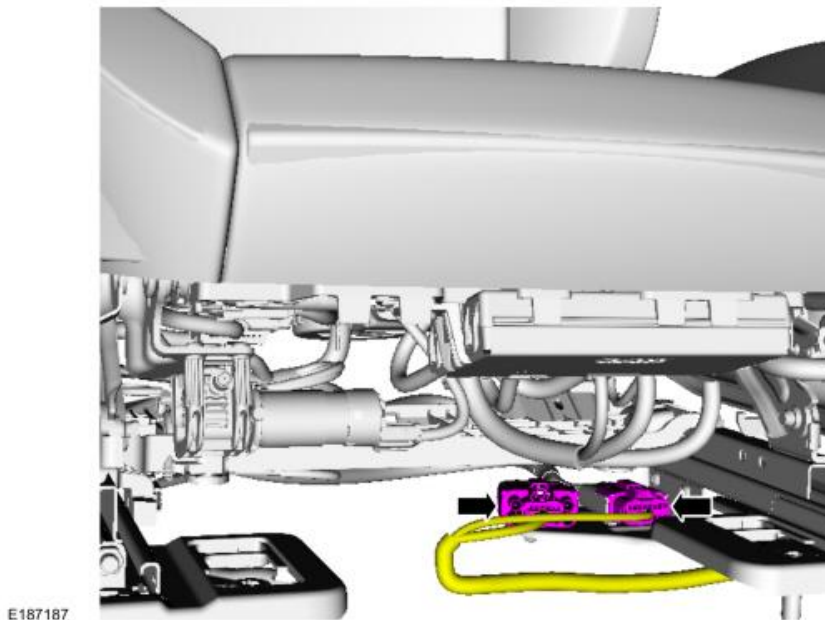
M-63660005-MG
2024MY Mustang
Ford Performance Recaro Seats

NO PART OF THIS DOCUMENT MAY BE REPRODUCED WITHOUT PRIOR AGREEMENT AND WRITTEN PERMISSION OF FORD PERFORMANCE PARTS © Ford Motor Company 2020

2. Depower the SRS .
3. Remove the front seat bolt covers.



4. Disconnect the front seat electrical connector(s) and position the wiring harness(es) aside.



Ford Factory Shop Manual purchase options www.motorcraftservice.com



FORD PERFORMANCE

M-63660005-MG
2024MY Mustang
Ford Performance Recaro Seats

NO PART OF THIS DOCUMENT MAY BE REPRODUCED WITHOUT PRIOR AGREEMENT AND WRITTEN PERMISSION OF FORD PERFORMANCE PARTS © Ford Motor Company 2020

5. **NOTE:** Follow the unique instructions or graphic for this step in the installation.

Remove the bolts and the front seat.



Ford Factory Shop Manual purchase options www.motorcraftservice.com



FORD PERFORMANCE

M-63660005-MG 2024MY Mustang Ford Performance Recaro Seats

NO PART OF THIS DOCUMENT MAY BE REPRODUCED WITHOUT PRIOR AGREEMENT AND WRITTEN PERMISSION OF FORD PERFORMANCE PARTS © Ford Motor Company 2020

Installation

1. To install, reverse the removal procedure.
2. Install the front seat bolts in the following sequence.
 1. Install the front inboard bolt.
Torque: 35 lb.ft (48 Nm)
 2. Install the front outboard bolt.
Torque: 35 lb.ft (48 Nm)
 3. Install the rear inboard bolt.
Torque: 35 lb.ft (48 Nm)
 4. Install the rear outboard bolt.
Torque: 35 lb.ft (48 Nm)



3. Repower the SRS .

Ford Factory Shop Manual purchase options www.motorcraftservice.com