



**AEROMOTIVE**  
**Part # 18685 & 18686**  
**86-98.5 Mustang Stealth Fuel Tank w/Fuel pump**  
**INSTALLATION INSTRUCTIONS**

**CAUTION:**

Installation of this product requires detailed knowledge of automotive systems and repair procedures. We recommend that this installation be carried out by a qualified automotive technician.

Installation of this product requires handling of gasoline. Ensure you are working in a well ventilated area with an approved fire extinguisher nearby. Extinguish all open flames, prohibit smoking and eliminate all sources of ignition in the area of the vehicle before proceeding with the installation.

When installing this product, wear eye goggles and other safety apparel as needed to protect yourself from debris and sprayed gasoline.

**WARNING!**

The fuel system is under pressure. Do not open the fuel system until the pressure has been relieved. Refer to the appropriate vehicle service manual for the procedure and precautions for relieving the fuel system pressure.

**NOTICE TO INSTALLER:**

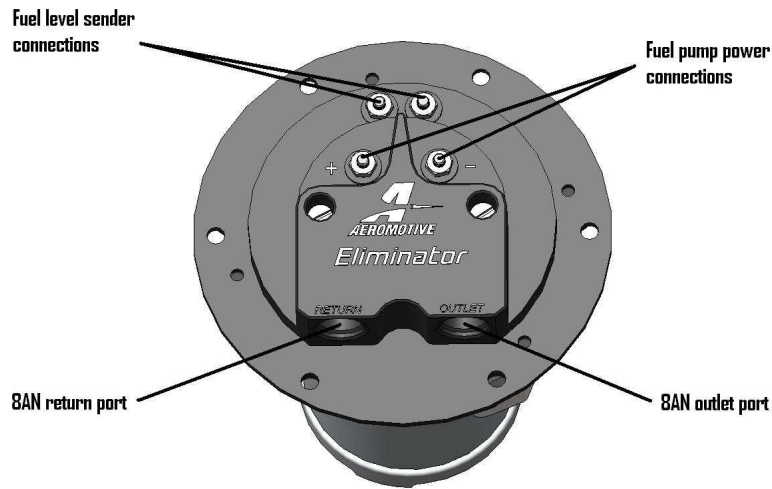
Installation of this fuel pump requires fuel system conversion to a return style fuel system (use of a bypass style regulator). Also note that a check engine light may be present after installation due to the factory returnless system being modified. This can be turned off with tuning software.

Aeromotive system components are not legal for sale or use on emission controlled motor vehicles.

Maximum continuous operating pressure should not exceed 70 psi.

**This kit contains the following parts:**

- |                                    |                                   |
|------------------------------------|-----------------------------------|
| 1 ea fuel tank kit                 | 1 ea fuel level bracket           |
| 1 ea fuel tank w/internal baffling | 4 ea edge clips                   |
| 1 ea Terminal ring connector       | 1 ea Self threading ground screw  |
| 1 ea Red solder splice             | 3ft. PTFE insulated wire          |
| 1 ea pump gasket                   | 1 ea fuel pump assembly           |
| 6 ea M6-1.0 x 12mm bolt            | (A1000/18685 or Eliminator/18686) |
| 6 ea M6 washer                     |                                   |



### Fuel Pump Top Plate Layout

The following steps are typical of most installations:

- 1 Once the engine has been allowed to cool, disconnect the negative battery cable and relieve the fuel system pressure.
- 2 Raise the vehicle and support it with jack stands.
- 3 Referring to the appropriate vehicle service manual for instructions, drain, disconnect any electrical and fuel component connections and remove the OEM fuel tank. The removal of the vehicles exhaust system may be necessary for fuel tank removal.
- 4 Once the OEM fuel tank has been removed, remove the plastic fuel tank shield from the bottom of the tank. Transfer the shield to the new Aeromotive tank.
- 5 Remove the Aeromotive fuel pump assembly to gain access to the inside of the tank. Set fuel pump assembly to the side for later use.
- 6 From the old OEM fuel tank, remove the filler neck rubber grommet, fuel level sender, vent and vent grommet, and wiring harness. Inspect all parts for damage, if none found, reinstall in new Aeromotive tank. If any of the OEM components are damaged replacement parts are available through your local Ford dealer or auto parts store. Use **figure 1-1** to install the factory fuel level sensor on to the provided fuel level bracket.

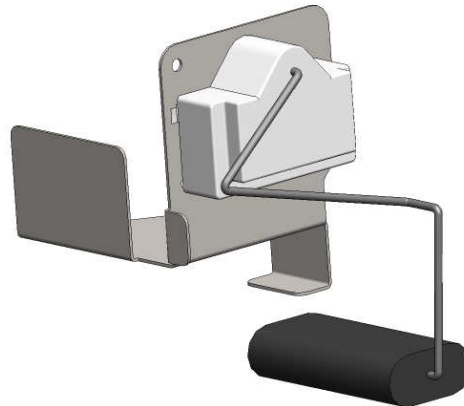
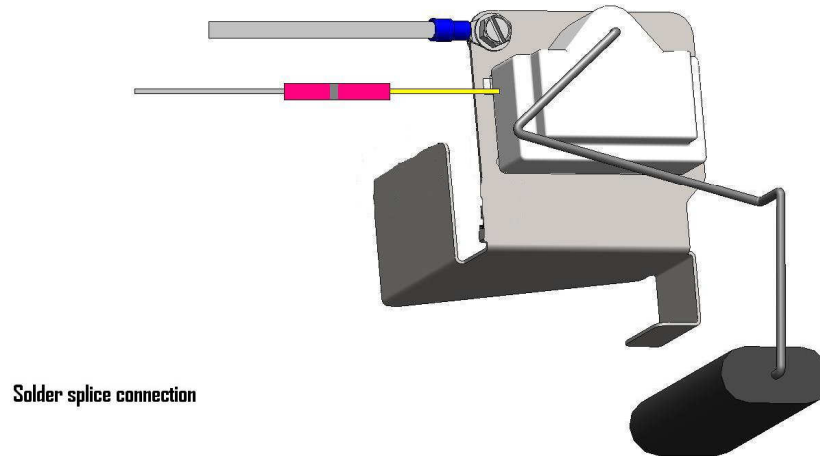


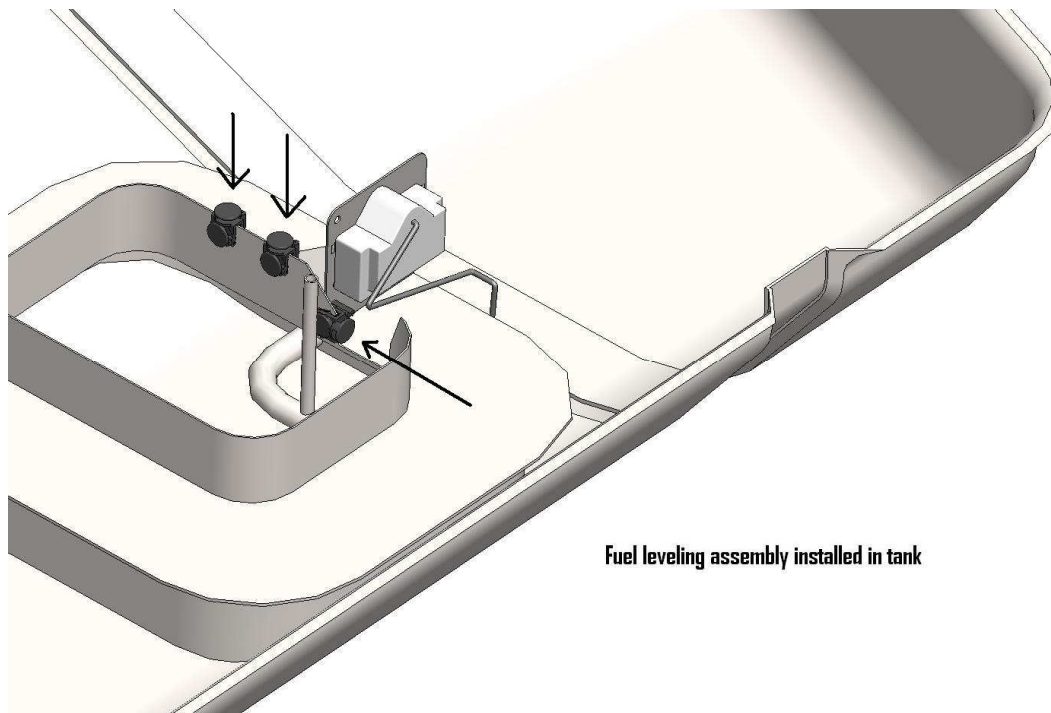
Figure 1-1

- 7 Before placing the fuel level sensor assembly in the tank, attach the two wires on the pump to the fuel level sensor assembly. Using one of the wires and the red solder splice, extend the factory wire coming from the fuel level sensor. Crimp the provided ring connector on the other wire and attach the ring connector to the bracket with the self threading screw. **FIGURE 1-2**



**FIGURE 1-2**

- 8 Position the fuel level sensor assembly into the tank as shown in **FIGURE 1-3** (resting the fuel pump on the top of tank while the leveling unit assembly is installed). With the fuel level sensor bracket and the baffle walls butted up against each other. Push the provided edge clips into position to secure the two pieces together.



**FIGURE 1-3**

- 9 Now the fuel tank is ready for your Aeromotive fuel pump assembly.

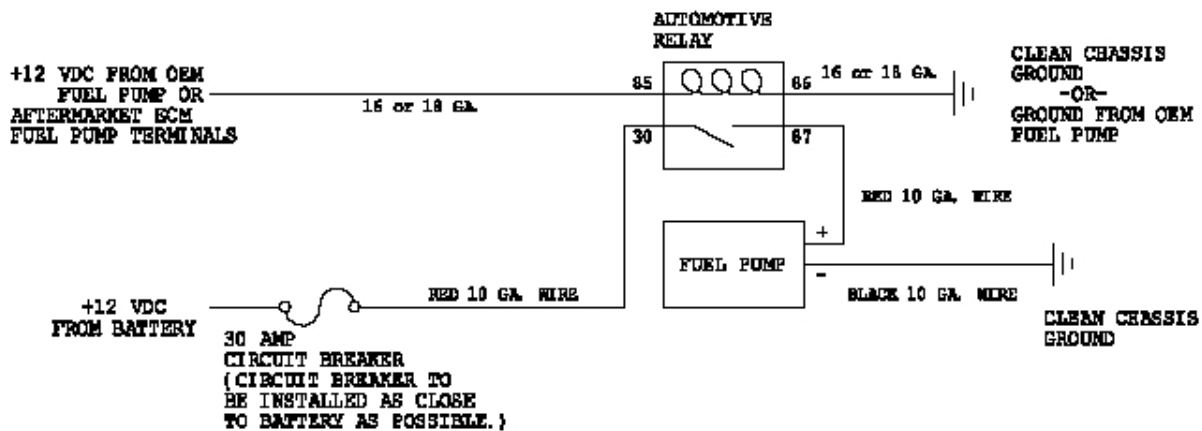
10 Position the fuel pump in the tank with the outlet/return ports facing forward (toward the front of the car). Use the supplied 6 bolts and washer to secure the pump assembly to the tank. **FIGURE 1-4**



**FIGURE 1-4**

11 Position the fuel tank under the vehicle. Apply light weight oil to the filler neck grommet to ease installation.

12 As the Aeromotive fuel tank is lifted into position reattach the vent line to the top of the fuel tank and work the filler neck in to the grommet on the side of the fuel tank. Make all electrical connections at this time, use the **FIGURE 1-5** for fuel pump wiring (Aeromotive pump wiring kit 16301).



**FIGURE 1-5**

**NOTE:** If using the 18686 on the street, the use of Aeromotive speed pump controller is a must (Aeromotive speed pump controller part # 16306).

13 Attach the feed and return lines to the top plate before placing the tank in the vehicle (8AN feed and return lines recommended).

14 Once the Aeromotive fuel tank is in position, align tank straps, ensure that there are not any hoses or wiring pinched and tighten the strap bolts.

15 Make any line or electrical adjustments necessary to clear the vehicles exhaust, suspension, and drivetrain components.

## Final Checks and System Start-up

- 16 **Ensure that any spilled gasoline and any gasoline soaked shop towels are cleaned up and removed from the vicinity of the vehicle!**
- 17 Carefully lower the car onto the ground.
- 18 Fill the fuel tank with gasoline and check for any leaks in the system, if any leaks are found repair immediately.
- 19 **CAUTION: While performing the following steps, if any fuel leaks are detected, immediately turn the ignition of OFF, remove any spilled fuel and repair the leak(s) before proceeding!**
- 20 Reconnect the battery and turn the ignition to the ON position **WITHOUT** starting the car. After several seconds, check the fuel pressure. If there is no fuel pressure, turn the ignition key to the OFF position, wait one minute, return the ignition to the ON position, and recheck the fuel pressure. Repeat this ignition OFF and ON procedure until the fuel pressure gauge registers fuel pressure.
- 21 **With the fuel pressure gauge registering fuel system pressure, check for fuel leaks throughout the entire fuel system! If any fuel leaks are found, turn the ignition key to the OFF position, remove any spilled fuel and repair the leak before proceeding!**
- 22 Test drive the car to insure proper operation and re-check the fuel system for leaks. **If any leaks are found, immediately discontinue use of the vehicle and repair the leak(s)!**

## ***AEROMOTIVE, INC. LIMITED WARRANTY***

This Aeromotive Product, with proof of purchase dated on or after January 1, 2003, is warranted to be free from defects in materials and workmanship for a period of one year from the original date of purchase. No warranty claim will be valid without authentic, dated proof of purchase.

This warranty is to the original retail purchaser and none other and is available directly from Aeromotive and not through any point of distribution or purchase.

If a defect is suspected, the retail purchaser must contact Aeromotive directly to discuss the problem, possible solutions and obtain a Return Goods Authorization (RGA), if deemed necessary by the company. Please call 913-647-7300 and dial option 3 for the technical service dept. All returns must be shipped freight pre-paid to the company and with valid RGA before they will be processed.

Aeromotive will examine any product returned with the proper authorization to determine if the failure resulted from a defect or from abuse, improper installation, misapplication or alteration. Aeromotive will then, at it's sole discretion, return, repair or replace the product.

If any Aeromotive product is determined defective, buyer's exclusive remedy is limited in value to the sale price of the good. In no event shall Aeromotive be liable for incidental or consequential damages.

Aeromotive expressly retains the right to make changes and improvements in any product it manufactures and sells at any time. These changes and improvements may be made without notice at any time and without any obligation to change the catalogs or printed materials.

Aeromotive expressly retains the right to discontinue at any time and without notice any Aeromotive product that it manufactures or sells.

This warranty is limited and expressly limits any implied warranty to one year from the date of the original retail purchase on all Aeromotive products.

No person, party or corporate entity other than Aeromotive shall have the right to: determine whether or not this Limited Warranty is applicable to any Aeromotive product, authorize any action whatsoever under the terms and conditions of this Limited Warranty, assume any obligation or liability of any nature whatsoever on behalf of Aeromotive under the terms and conditions of this Limited Warranty.

This Limited Warranty covers only the product itself and not the cost of installation or removal.

This Limited Warranty is in lieu of and expressly excludes any and all other warranties, expressed or implied. This Limited Warranty gives you specific legal rights, and you may also have other rights which vary from state to state.