

1999 Ford Mustang GT V8-4.6L SOHC VIN X

Vehicle > Technical Service Bulletins

CONVERTIBLE TOP BOOT - IMPROPER FIT

Article No.

99-22-5

11/01/99

CONVERTIBLE TOP - IMPROPER FIT OF CONVERTIBLE TOP BOOT

FORD:

1994-2000 MUSTANG

ISSUE

The convertible top boot may fit improperly or be difficult to install on some vehicles due to the top not folding down all the way into the well.

ACTION

Perform preliminary checks to insure the problem is not due to the boot, which may include a broken or soft retainer clip, or an additional crease in cover material due to incorrect folding by the customer. If there are no noticeable problems with the boot, check to see if the convertible top is interfering with boot installation by having excessive contact with the boot. If the convertible top is interfering with boot installation, refer to the following Service Procedure for adjustment.

SERVICE PROCEDURE

1. With top in the fully downstacked position, check to see if adjustment is needed to the driver side, passenger side, or both and determine the amount of adjustment needed for the top to avoid excessive contact with the boot.

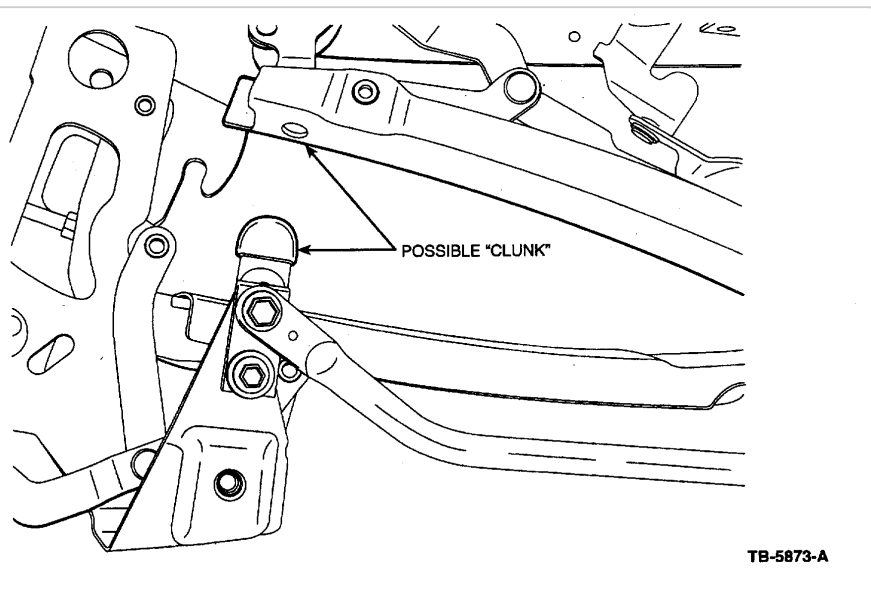


Figure 1

2. Cycle top to closed position for easiest access to main pivot bracket and downstop bolt (Figure 1).
3. Adjust downstop bolt clockwise with a 13 mm deep well socket to lower the convertible top downstack height.

NOTE

TYPICALLY ONE TO TWO TURNS WILL BE SUFFICIENT ADJUSTMENT.

4. Return the top to the fully downstacked position.
5. Re-evaluate downstack height and decide if more adjustment is necessary.

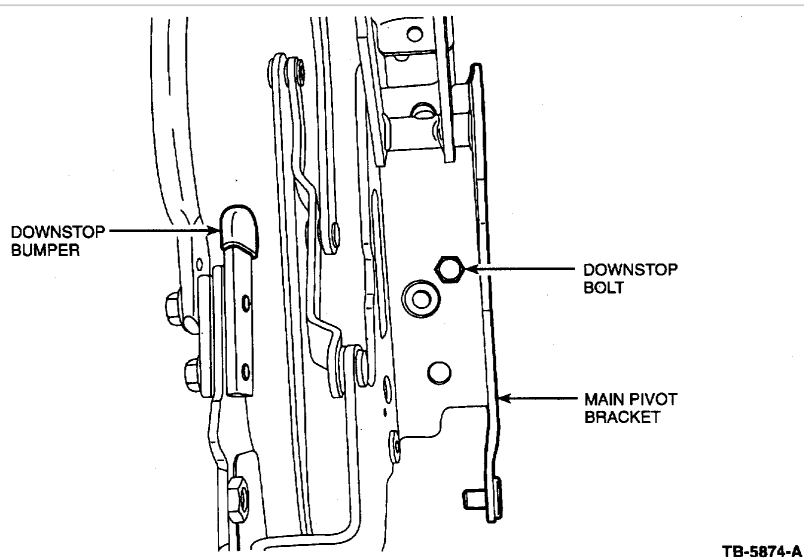


Figure 2

NOTE

ADJUSTING THE DOWNSTOP BOLT TOO FAR DOWN WILL RESULT IN AN AUDIBLE "CLUNK" BETWEEN THE REAR RAIL OF THE CONVERTIBLE TOP AND THE DOWNSTOP BUMPER (CLUNKING WILL NOT DAMAGE CONVERTIBLE TOP BUT MAY ANNOY CUSTOMER), IF THIS OCCURS, RAISE DOWNSTOP BOLT ENOUGH TO PREVENT CLUNKING (FIGURE 2).

OTHER APPLICABLE ARTICLES: NONE

WARRANTY STATUS: Eligible Under The Provisions Of Bumper To Bumper Warranty Coverage

OPERATION DESCRIPTION TIME 992205A Check And Adjust 0.3 Hr. Convertible Top Downstack Height

DEALER CODING

CONDITION BASIC PART NO. CODE 7654400 07

OASIS CODES: 105000, 108000, 112000

