

2001 Ford Mustang V6-3.8L VIN 4

Vehicle > Technical Service Bulletins

RECALL - TUBE MOUNTED EGR PRESSURE SENSOR DEFECT

Related Links

Attachment I - Administrative Information

Attachment II - Labor Allowances and Parts Ordering Information

Attachment III - Technical Information

Dealer Letter

Owner Letter

SERVICE PROCEDURE

NOTE:

If a 2002 Focus equipped with a 2.0L Zetec engine and a dash-mounted EGR pressure sensor is encountered, call the Special Service Support Center.

1. Retrieve continuous DTCs.

NOTE:

Replace the EGR pressure sensor only if one or more of the following continuous DTCs are present:

^ P1400 - DPF EGR SENSOR CIRCUIT LOW VOLTAGE DETECTED

^ P1401 - DPF EGR SENSOR CIRCUIT HIGH VOLTAGE DETECTED

^ P0401- EGR FLOW INSUFFICIENT DETECTED

^ P0402- EGR FLOW EXCESSIVE DETECTED

Any other DTC present is not covered by this program.

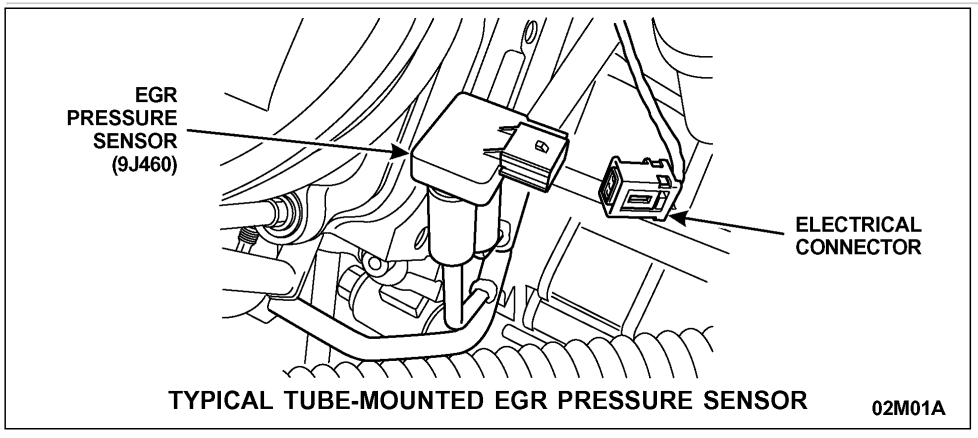
2. If one or more of the DTCs listed above is present, replace the EGR pressure sensor (9J460) as follows:

a) Key off.

b) Disconnect the electrical connector and remove the EGR pressure sensor from the EGR tube.

c) Install the new EGR pressure sensor onto the EGR tube and connect the electrical connector. Note: Refer to Section 303-08 of the appropriate workshop manual if additional information is required.

3. Clear continuous DTCs.



4. Perform KOEO and KOER self tests.