

2001 Ford Mustang V6-3.8L VIN 4
Vehicle > Technical Service Bulletins

ENGINE OIL PUMP - LIS SERVICE

Article No.

01-4-8

03/05/01

ENGINE - 3.8L - OIL PUMP LIQUID INJECTION SEAL
(LIS) GASKET SERVICE PROCEDURE - MUSTANG
VEHICLES EQUIPPED WITH 3.8L ENGINE - VEHICLES
PRODUCED 11/27/2000 THROUGH 6/30/2001 - SERVICE TIPS

FORD:

2001 MUSTANG

This article is being republished in its entirety to update the model year coverage.

ISSUE

Some 2001 Model Year 3.8L Mustang engines may have oil pumps built with a new sealing process called Liquid Injection Sealing (LIS). An LIS service procedure is not yet available to the field.

ACTION

If service to an oil pump is required on a vehicle equipped with an LIS oil pump, service with the existing service oil pump and seals listed for these engines in the current Parts Catalog. Refer to the following Service Procedure for details.

SERVICE PROCEDURE

PUMP IDENTIFICATION

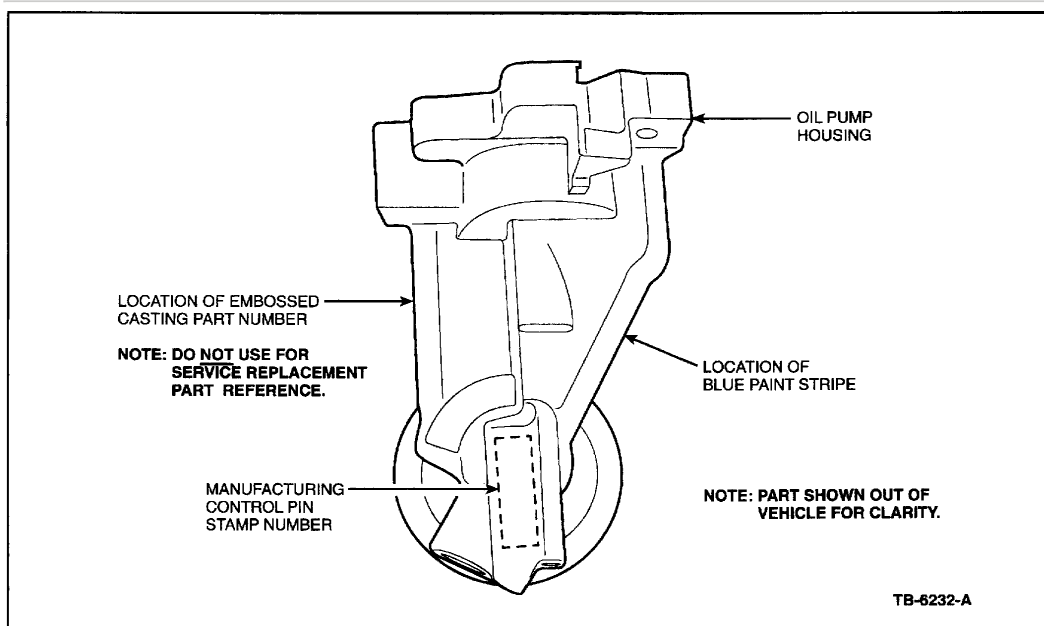


Figure 1

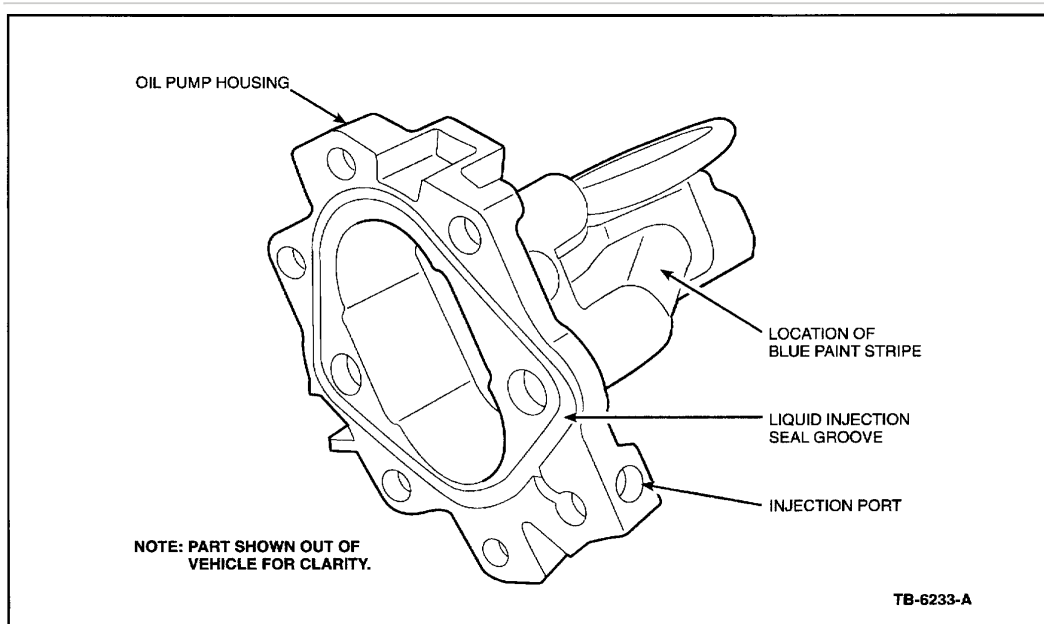


Figure 2

The new LIS oil pumps are identified with a blue paint stripe along the right edge (as viewed from above), a casting part number embossed on the opposite side from the blue paint stripe and a Manufacturing Control stamp number on the pad above the oil filter location (Figures 1 and 2).

1. If the oil pump needs to be serviced for any reason, remove the pump as outlined in the 2001 Mustang Workshop Manual.
2. Identify if it is a new LIS oil pump. If it is, replace the pump with the recommended service oil pump and O-ring seal. Do not attempt to repair the oil pump.
3. Return the LIS oil pump and all of the gasket material that may have adhered to the front cover (scrape off all of

the gasket material), place it in a plastic bag, and seal the bag.

NOTE

RETURN ALL LIS OIL PUMPS, O-RING SEALS (IF POSSIBLE KEEP THE SEAL IN THE OIL PUMP GROOVE), AND GASKET MATERIAL WITH THE INFORMATION LISTED BELOW TO FORD MOTOR COMPANY.

^ Vehicle Identification Number (VIN) Copy of the completed work order and/or repair order

^ Odometer reading at time of repair

^ Determine if the oil pump was the causal part in the repair

^ Determine if an oil leak was the causal condition

SEND TO:

Ford Motor Company
Advanced Manufacturing Technology Division
24500 Glendale Ave.
Redford, MI 48239
Attn. Liquid Injection Sealing Dept.

OTHER APPLICABLE ARTICLES: NONE

SUPERSEDES: 00-26-6

WARRANTY STATUS: INFORMATION ONLY

OASIS CODES: 401000, 402000, 499000