



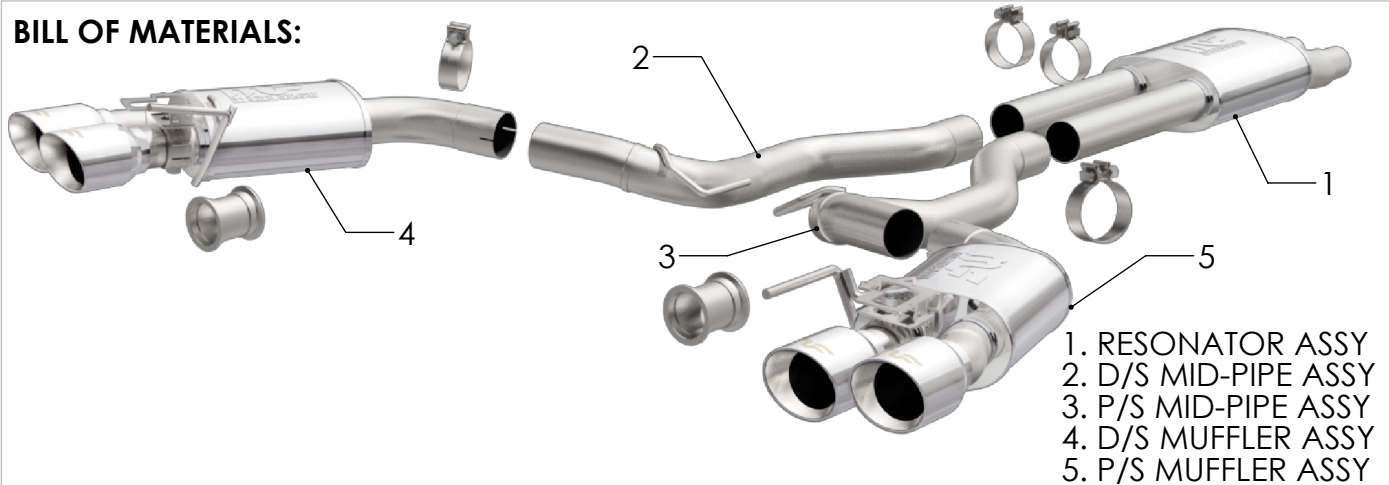
INSTALLATION INSTRUCTIONS



2018 MUSTANG GT 5.0L

PART NO. 19370

BILL OF MATERIALS:



WEAR SAFETY GLASSES



READ INSTRUCTIONS THOROUGHLY BEFORE INSTALLING PRODUCT



SPRAY LUBRICANT

To ease removal of existing exhaust components (especially on older vehicles) spray penetrating lubricant on all fasteners and hangers/insulators that will be loosened or removed and let soak before disassembly.

HARDWARE KIT:

- 1. [4] 3.00" Clamp

MINIMUM REQUIRED TOOLS:



13,15 mm



Hanger Tool (Or Pry Bar)

MAGNAFLOW RECOMMENDS PROFESSIONAL INSTALLATION ON ALL THEIR PRODUCTS



WARNING: When working on, under, or around any vehicle exercise caution. Please allow the vehicle's exhaust system to cool before removal, as exhaust system temperatures may cause severe burns. If working without a lift always consult vehicle manual for correct lifting specifications. Always wear safety glasses and ensure a safe work area. Serious injury or death could occur if safety measures are not followed.

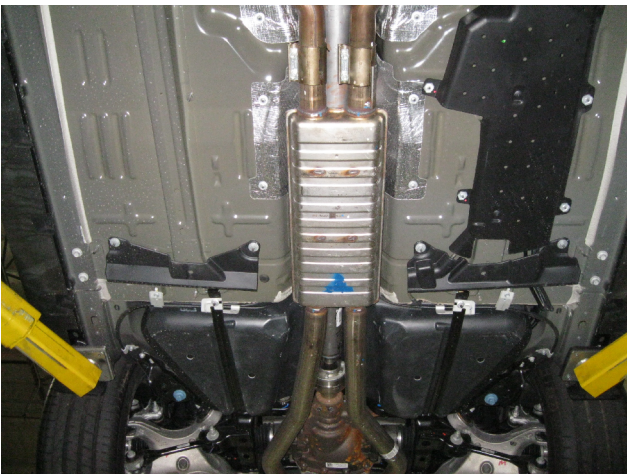
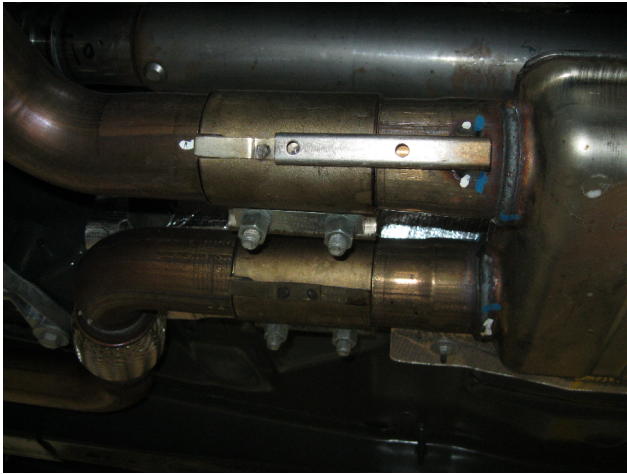
ATTENTION: Always install any supplied band or U-bolt clamps to the proper torque specifications of 40-45 ft-lb for band clamps and 30-35 ft-lb for U-bolt clamps. Over tightening will result in the clamps breaking and will NOT be warranted by MagnaFlow.

MAGNAFLOW: 1901 Corporate Centre Dr - Oceanside, CA 92056 | 1(800)990-0905
 Technical Support: 1(800) 959-9226 | Email: moreinfo@magnaflow.com

INSTALLATION INSTRUCTIONS



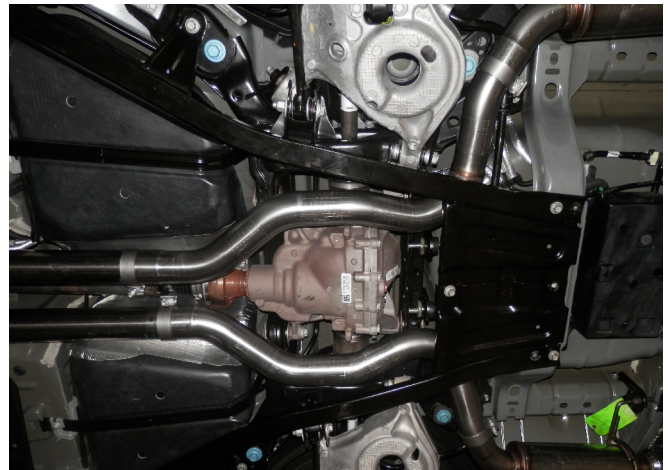
Step 1. To begin, determine if your vehicle has OE exhaust valves, if so, you will need to unplug the electrical connection on the Exhaust Valve Control Motors (Qty 2) located on the OEM exhaust assembly.



Step 2. Start removing the OEM exhaust system by loosening the clamps located in front of the resonator. Next working front to rear extract the hangers from the rubber insulators and remove the OEM system. Retain insulators and clamps as they will be used to install the new system. Once the old system is on the ground if your vehicle has valves transfer the servo motors from the factory valves to the Magnaflow system using the OEM fasteners. If your vehicle does not have OEM valves remove the pre-installed Magnaflow valves and replace them with the supplied Delete Pipes.

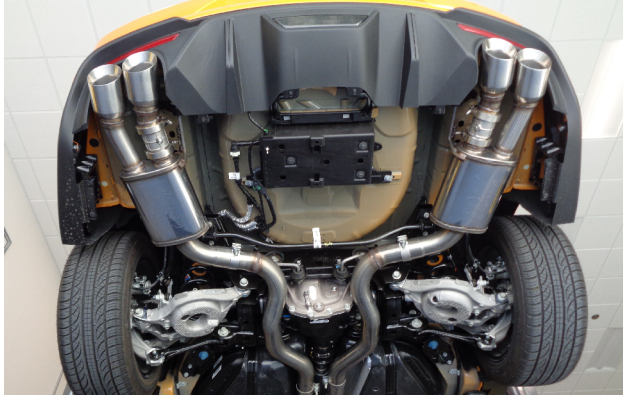


Step 3. Begin installation of the new system by loosely attaching the Resonator Assembly to the outlets using the OEM clamps. Leave all clamps loose until final adjustment.



Step 4. Next attach the Mid Pipe Assemblies to the Resonator Assembly using the supplied 3.00" clamps and fitting the hangers into the rubber insulators.

INSTALLATION INSTRUCTIONS



Step 5. Finish the initial installation by fitting the Muffler Assemblies onto the Mid pipe Assemblies using the supplied 3.00" clamps and inserting the hangers into the rubber insulators.



Step 6. If your vehicle has valves re-connect the wiring harness plugs to the Valve motors.



Step 7. Once a final position has been chosen for the new exhaust system, evenly tighten all clamps from front to rear using the torque specifications on page one of the instructions. Inspect all fasteners after 25-50 miles of operation and re-tighten if necessary.